

ELECTRONIC TAPS FOR SINKS**UFO**

Essential design, simple lines and innovative features make tap UFO ideal for bar counters, hospitals, large industrial kitchens and domestic sinks.

Thanks to its original shape, specifically designed for easy cleaning, it fits harmoniously in any type of place.

The photocell following the spout rotation and the solenoid valve housed inside the tap make it a particularly efficient product in the field of taps for industrial purpose.

Once it has been used, it is not easy to do without such a fundamental tool.

All taps manufactured by SOEMA ensure hygiene and comply with safety standards required by laws HACCP and 626/94. They are also a profitable investment in all those cases where hygiene, compliance with regulations, low consumption, easy maintenance, solidity and reliability are essential requirements.

**ITECNICAL DETAILS:**

Operating time:

Water delivery :

As soon as the user's hands are detected.

Water delivery interruption:

1" after the user' s hands are removed

Specifications:

Operating pressure :

1 - 10 bar

Power :

220/12Vca 10VA Trasformer Class II IP40

2 alkaline batteries (1.5V)

Water flow at 3 bar :

9 l/min

ELECTRONIC TAPS FOR SINKS

UFO/T

Single-hole electronic sink tap for cold or premixed water with swivelling [fixed] spout.

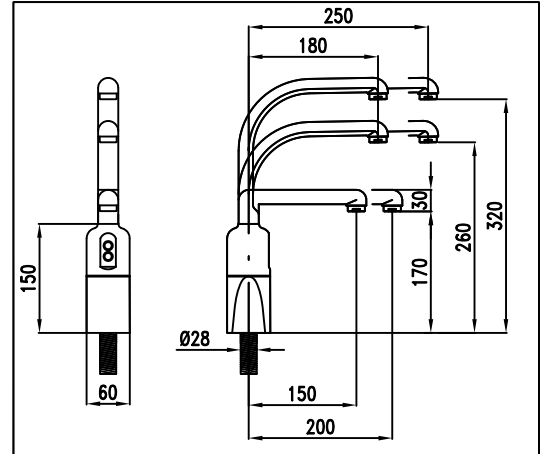
Outer casing with chrome finish and hydraulic parts in solid brass.

140° swivelling spout with photocell following the spout rotation [Fixed spout].

Spout sizes: 180x260mm [150x170] [180x320] [200x170] [250x260] [250x320].

Infrared electronic circuit with built-in automatic shutoff device housed inside the tap together with a solenoid valve.

Equipped with 220/12Vac safety transformer approved by IMQ, one brass stopcock with check valve and inspectionable stainless steel filter, a stainless steel flexible connecting pipe approved by KIWA. CE certified.



UFO/MT

Single-hole electronic sink tap with mixer and swivelling [fixed] spout.

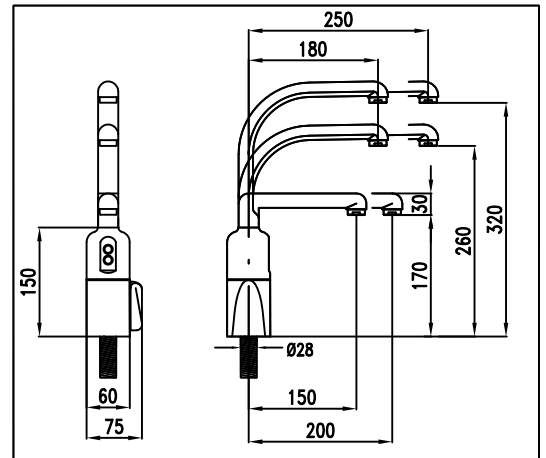
Outer casing with chrome finish and hydraulic parts in solid brass.

140° swivelling spout with photocell following the spout rotation [Fixed spout].

Spout sizes: 180x260mm [150x170] [180x320] [200x170] [250x260] [250x320].

Infrared electronic circuit with built-in automatic shutoff device housed inside the tap together with a solenoid valve.

Equipped with 220/12Vac safety transformer approved by IMQ, two brass stopcocks with check valve and inspectionable stainless steel filter, two stainless steel flexible connecting pipes approved by KIWA. CE certified.



UFO/MET

Single-hole electronic sink tap with mixer, manual override lever and swivelling [fixed] spout.

Outer casing with chrome finish and hydraulic parts in solid brass.

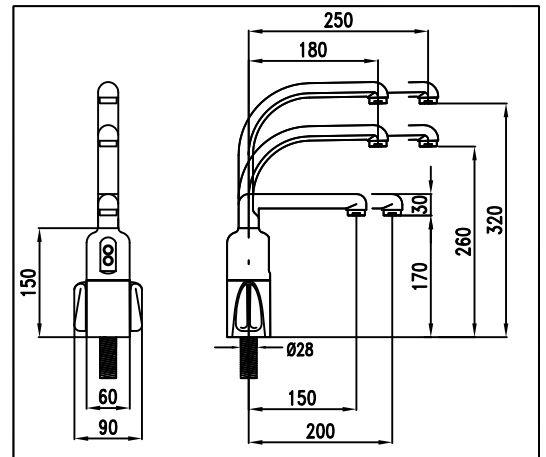
140° swivelling spout with photocell following the spout rotation [Fixed spout].

Spout sizes: 180x260mm [150x170] [180x320] [200x170] [250x260] [250x320].

Manual override lever consisting of sintered ceramic discs.

Infrared electronic circuit with built-in automatic shutoff device housed inside the tap together with a solenoid valve.

Equipped with 220/12Vac safety transformer approved by IMQ, two brass stopcocks with check valve and inspectionable stainless steel filter, two stainless steel flexible connecting pipes approved by KIWA. CE certified.



UFO/SMET

Wall-mounted electronic tap with mixer, manual override lever and swivelling [fixed] spout.

Outer casing with chrome finish and hydraulic parts in solid brass.

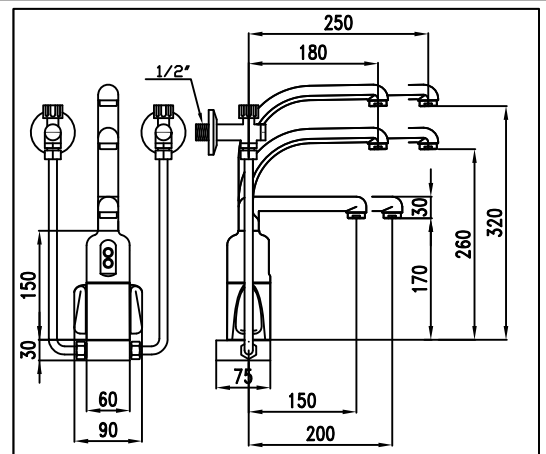
140° swivelling spout with photocell following the spout rotation [Fixed spout].

Spout sizes: 180x260mm [150x170] [180x320] [200x170] [250x260] [250x320].

Manual override lever consisting of sintered ceramic discs.

Infrared electronic circuit with built-in automatic shutoff device housed inside the tap together with a solenoid valve.

Equipped with 220/12Vac safety transformer approved by IMQ, two brass stopcocks with check valve and inspectionable stainless steel filter, two stainless steel flexible connecting pipes approved by KIWA. CE certified.



ELECTRONIC TAPS FOR SINKS

UFO/P

Single-hole electronic sink tap for cold or premixed water with swivelling [fixed] spout. Battery-operated.

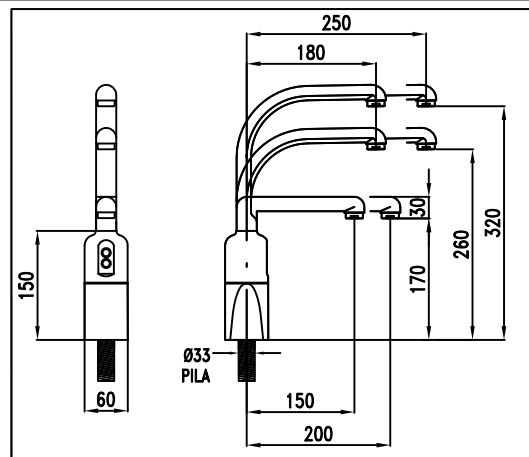
Outer casing with chrome finish and hydraulic parts in solid brass.

140° swivelling spout with photocell following the spout rotation [Fixed spout].

Spout sizes: 180x260mm [150x170] [180x320] [200x170] [250x260] [250x320].

Infrared electronic circuit with built-in automatic shutoff device housed inside the tap together with a bistable solenoid valve.

Equipped with 2 alkaline batteries (1.5V) housed inside a sealed aluminium container, one brass stopcock with check valve and inspectionable stainless steel filter, a stainless steel flexible connecting pipe approved by KIWA. CE certified.



UFO/MP

Single-hole electronic sink tap with mixer and swivelling [fixed] spout. Battery-operated.

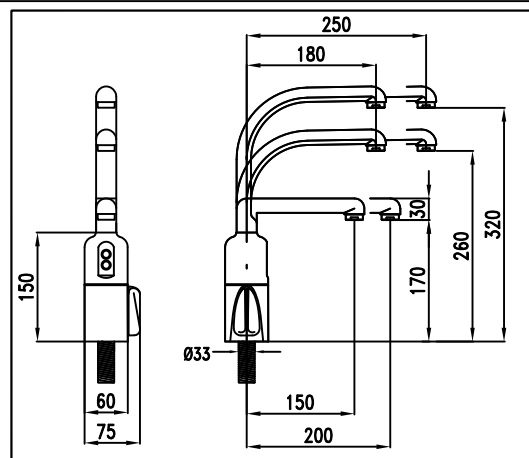
Outer casing with chrome finish and hydraulic parts in solid brass.

140° swivelling spout with photocell following the spout rotation [Fixed spout].

Spout sizes: 180x260mm [150x170] [180x320] [200x170] [250x260] [250x320].

Infrared electronic circuit with built-in automatic shutoff device housed inside the tap together with a bistable solenoid valve.

Equipped with 2 alkaline batteries (1.5V) housed inside a sealed aluminium container, two brass stopcocks with check valve and inspectionable stainless steel filter, two stainless steel flexible connecting pipes approved by KIWA. CE certified.



UFO/MEP

Single-hole electronic sink tap with mixer, manual override lever and swivelling [fixed] spout. Battery-operated.

Outer casing with chrome finish and hydraulic parts in solid brass.

140° swivelling spout with photocell following the spout rotation [Fixed spout].

Spout sizes: 180x260mm [150x170] [180x320] [200x170] [250x260] [250x320].

Manual override lever consisting of sintered ceramic discs.

Infrared electronic circuit with built-in automatic shutoff device housed inside the tap together with a bistable solenoid valve.

Equipped with 2 alkaline batteries (1.5V) housed inside a sealed aluminium container, two brass stopcocks with check valve and inspectionable stainless steel filter, two stainless steel flexible connecting pipes approved by KIWA. CE certified.

