

SOEMA designed and successfully created multifunction hand washing no-touch systems. These products integrate a tap, a soap dispenser and an hand dryer in sinks of different shapes: single, multiple or multi-basin single channel tub. The set of mirrors complete with LED perimeter frame and backlit icons which, by indicating the various functions, to be more user friendly.



GENERAL CHARACTERISTICS:

- Supply voltage: 230V in CE version, or 120V in UL-CSA (UL only for model A-S) version.
- Power consumption: 650W with towel running.
- Optional: Mirror with LED perimeter lighting, luminous writings and icons to be more user friendly, H=600.

TECHNICAL SPECIFICATIONS:

- Components of the panel: tap with anti-flooding system, soap dispenser with anti-drip system and hand dryer, all operating with infrared devices.
- Hydraulic parts: solid brass internal parts; equipped with stop cocks and a hidden siphon.



FAUCET:

- Tap operating pressure: 1-10 bar.
- Tap flow rate: 5-6L/min at 3 bar, 2L/min in LEED version.
- Tap activation: 1sec after the user's hands enter the reading field of the infrared device.
- Faucet cut-off: 1sec after user's hands leave the field or after 60 seconds of continuous operation (anti-flooding system).

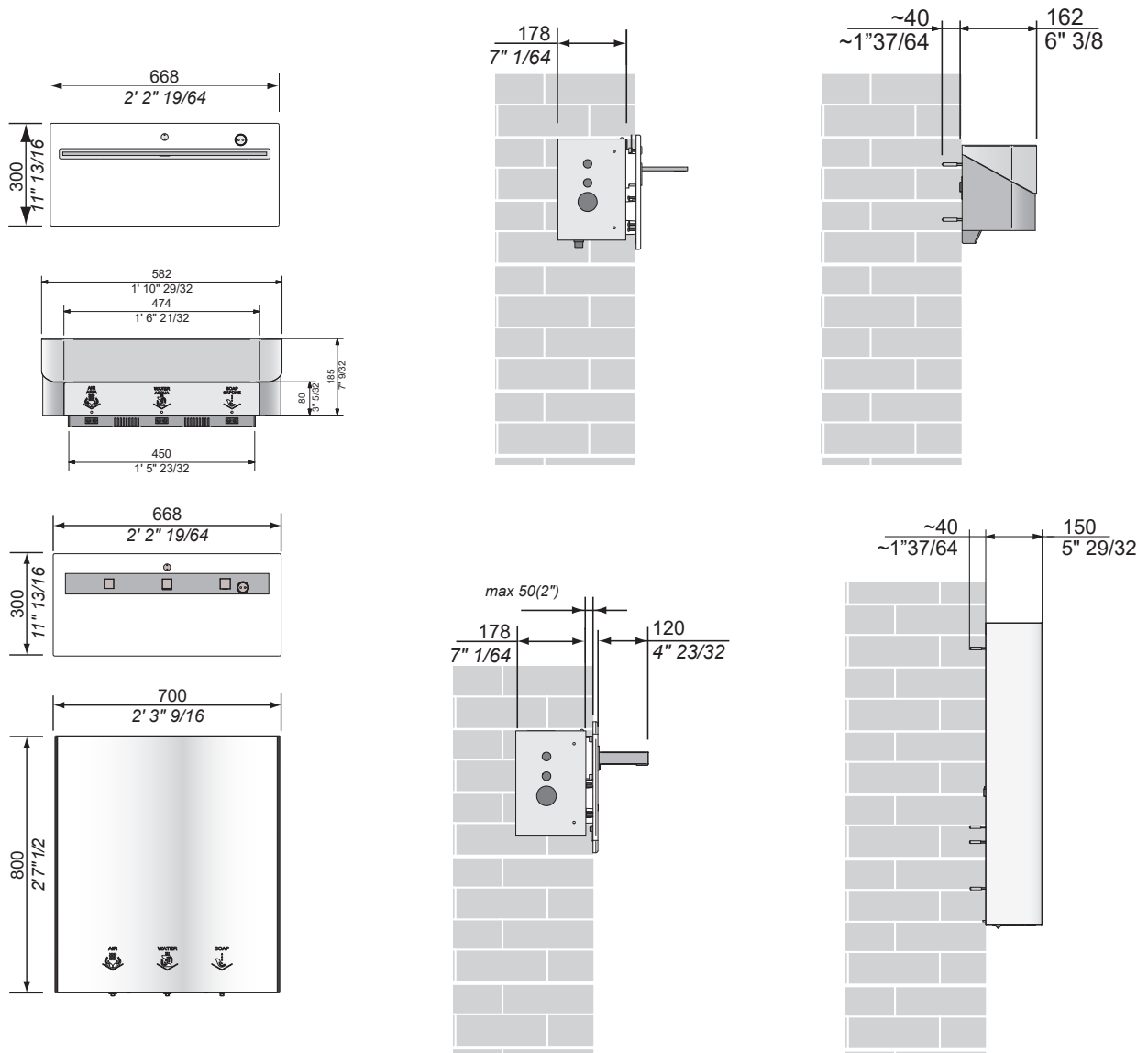
SOAP DISPENSER:

- Components of the soap dispenser: 1 liter tank, peristaltic pump.
- Soap size: adjustable.
- Activation of the soap dispenser: 1sec after the user's hands enter the reading field of the infrared device; activation of the anti-drip system at the end of the dose.

TOWEL:

- Air flow speed: 400 km/h.
- Activation of the towel: 2 sec after the user's hands enter the reading field of the infrared device.

WALL/ PLASTERBOARD

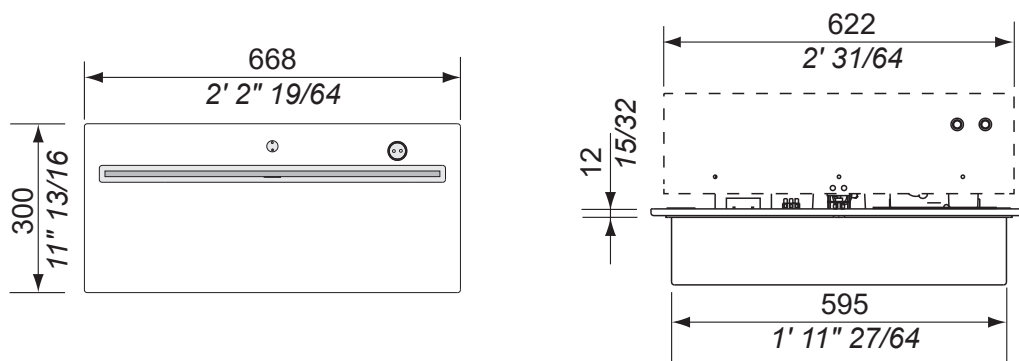


MULTICONSOLE-A



MULTICONSOLE-A: electronic wall shelf with integrated soap dispenser, hand dryer and tap. Multiconsole-A is made up of a solid sheet of Corian covered with a sandblasted electropolished stainless steel sheet. The total thickness of 13mm includes sensors for photocells. The Multiconsole, which can be easily used also as a shelf, it is fixed on a white Corian plate. All accessories and components are inserted in a stainless steel box, integrated into a wall recessed box.. The filling of the soap tank occurs after the extraction of the special anti-vandal cap positioned to the side of the shelf using the specific funnel provided.

MULTICONSOLE-A can be combined with any sink, to which it adds value in terms of ease of use and aesthetics; the only attention is required in the preventive evaluation of the ergonomics of the bowl related to the depth of water outlet.



MULTICONSOLE-WM



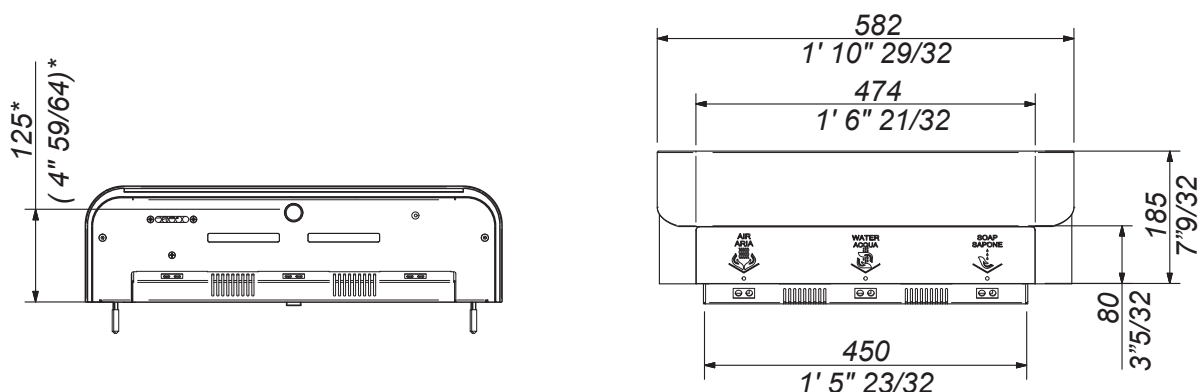
MULTICONSOLE-WM represents the built-in version; it is external to wall and allows installation in situations where there is not enough space in the thickness of the wall or where there is a renovation and you don't want to make a strong change in the existing situation.

A pleasant appearance characterizes the external casing which integrates the dispensers with the technical components (photocells, hydraulic part, hand dryer engine and soap dispenser tank); its modern shape enhances the surroundings.

The external casing is made of acrylic-based Solid Surface; the standard model is white but on request it can be treated superficially with water transfer printing (particular decoration process). Frontally there is a glass plate, with specific icons, guides the user to correct use. An underlying LED lighting generates a soft luminous halo in the area of use. On the upper part a glass support surface allows the Multiconsole to also become a support shelf.

The soap is supplied via an integrated access in the upper part, which can be opened using a specially supplied anti-vandal key.

MULTICONSOLE-WM can be combined with any sink, giving it value in terms of ease of use and Aesthetics; the only Attention is required in the preventive evaluation of the ergonomics of the bowl related to the depth of water outlet.



MULTICONSOLE-S



MULTICONSOLE-S: electronic wall shelf with integrated soap dispenser, towels and tap.

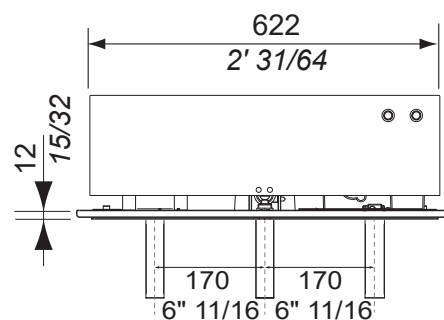
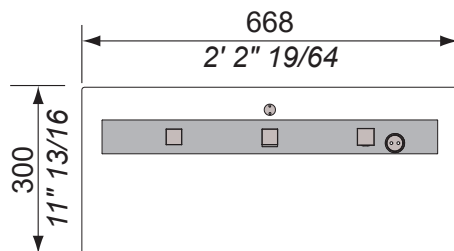
Multiconsole-S consists of three 30x30x120mm square rods in chromed solid brass.

Glass storage shelf, one for each position supported by chromed brass side supports.

All accessories and components are inserted in a stainless steel box, integrated into a wall recessed case.

Refilling of the soap tank occurs after the extraction of the special anti-vandal cap positioned side of the barrels using the specific funnel provided

MULTICONSOLE-S can be combined with any sink, giving it value in terms of ease of use and aesthetics; the only attention is required in the preventive evaluation of the ergonomics of the bowl related to the depth of water outlet.



MULTICONSOLE-MR



MULTICONSOLE-MR

Multifunction mirror that integrates soap dispenser, tap and electronically controlled hand dryer.
Structure in 304 stainless steel covered in 12mm white Corian, mirror fixed on a 4mm HPL support.
LED lighting of the washbasin top.

Backlit icons of the various functions for better user understanding.

Fully vandal-proof safety opening/closing system.

The Multiconsole MR fully satisfies the needs of those who want an integrated solution that guarantees maximum functional efficiency, absence of contamination, aesthetic appeal and simple and quick maintenance.

Available for cold or premixed water, it allows for quick soap refilling, simple cleaning and limited maintenance that is still quick and safe to perform.

It can be combined with any sink, completing a comfortable and fully automated washing area.

In combination with Soema washbasins, the 2 and 3-station version with continuous mirror is available (700mm-1400mm-2100mm).

OPTIONAL: version with "C" folded towel dispenser (MULTICONSOLE-MR/P).

