

**ELECTRONIC FLUSH  
FOR URINAL**



**ELLIPSE:** SOEMA electronic controls or urinals are designed and manufactured with extremely rational criteria, which guarantee their reliability over time and ease of maintenance. The different possibilities of the built-in or wall-mounted versions allow to solve any installation problem. The AISI304 stainless steel closing plates and relative fixing systems give these products characteristics; ideal for highly frequented bathrooms. The ELLIPSE urinal has been designed and manufactured, using particularly advanced technology in order to solve two essential needs: hygiene and water saving. The design, the washing system, the anti-vandal features as well as ease of installation have also been taken into account in the design. The urinal ceramic has the hydraulic and electronic part incorporated. It is characterized by a tilting system for inspection and maintenance.

**TECHNICAL SPECIFICATIONS:**

**OPERATION TIMES**

<b><u>Start of the antistick flush:</u></b>	3" after reading the body
<b><u>Washer duration:</u></b>	1"
<b><u>Start of the drain:</u></b>	Activation immediately after the user leaves
<b><u>Duration of the drain:</u></b>	8"
<b><u>Start of the floor cleaning:</u></b>	5' after the start of the cycle
<b><u>Duration of the floor cleaning:</u></b>	Adjustable from 2" to 10" - set to 4"

**TECHNICAL DATA**

<b><u>Operating pressure:</u></b>	1 - 10 Bar
<b><u>Power supply:</u></b>	Trasformatore 220/18Vca 10VA Classe II IP40
<b><u>Drain flow rate at 3 bar:</u></b>	8 l/min
<b><u>Floor cleaning flow rate at 3 bar *:</u></b>	8 l/min

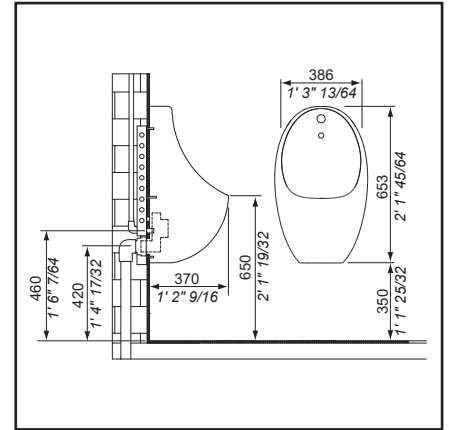
**OPTIONAL**

<b><u>Single transformer for 2 to 6 devices</u></b>	
<b><u>TRAV006C00</u></b>	220/18Vac 54 VA Class II IP00

# ELECTRONIC FLUSH FOR URINAL

## ELLIPSE/T

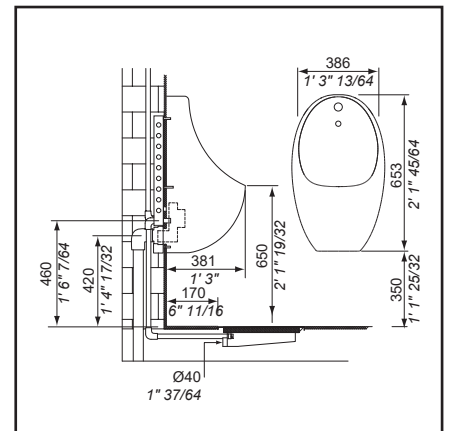
Electronic urinal in ceramic. Sturdy built-in galvanized sheet metal frame with the 50mm drain branch assembled. White ceramic urinal, hanging and tilting (for inspection, maintenance) fixed with vandal-proof stainless steel screws; dimensions 38.6x65.3x37cm. Brass hydraulic part complete with stopcock, water flow regulator and solenoid valve with filter. Tilting and forced suction drain siphon. Infrared electronic circuit, with built-in anti-flooding device, housed inside the ceramic together with the hydraulic part, the solenoid valve and the siphon. The infrared electronic circuit activates an intermittent water flow inside the bowl 3" after the user approaches and activates a continuous flush after the user has walked away for 10". A 220/18Vac IMQ approved safety transformer, fixings and gaskets are supplied. CE certified.



## ELLIPSE/3T

Electronic urinal in ceramic monobloc complete with solenoid valve for washing flooring. Sturdy built-in galvanized sheet metal frame with assembled 50mm drain branch. White ceramic urinal, hanging and tilting (for inspection, maintenance) fixed with vandal-proof stainless steel screws; dimensions 38.6x65.3x37cm. Hydraulic part in brass complete with stopcock, two water flow regulators and two solenoid valves with filter. Tilting and forced suction drain siphon. Infrared electronic circuit, with built-in anti-flooding device, housed inside the ceramic together with the hydraulic part, the solenoid valve and the siphon. The infrared electronic circuit activates an intermittent water film inside the toilet bowl 3" after the user approaches and activates a continuous flush after the user moves away for 10", and then starts the adjustable timed washing of the tub under the grating floor. Supplied with a 220/18Vac IMQ-approved safety transformer, two flexible stainless steel connection hoses, fixings and gaskets. CE certified.

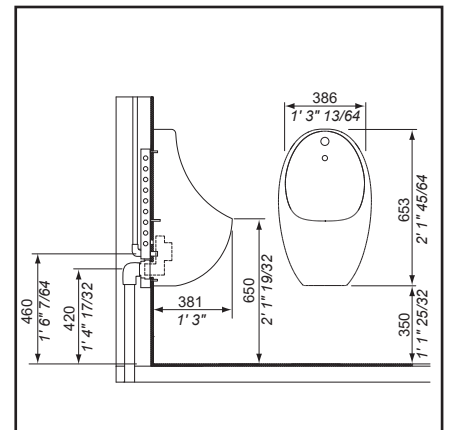
(Note: Preferred flooring to be used = Pavimor)



## ELLIPSE/C

Electric urinal in ceramic monobloc.

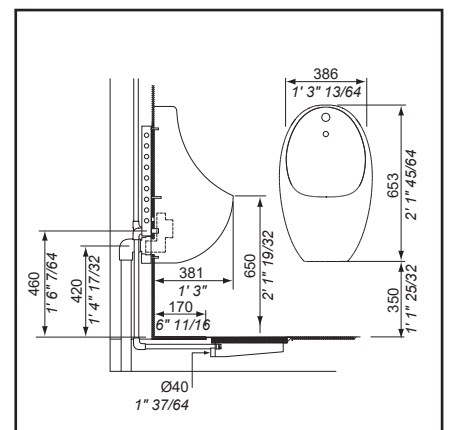
Sturdy galvanized sheet metal frame for application on plasterboard walls, with assembled 50mm drain branch. White ceramic urinal, hanging and tilting (for inspection, maintenance) fixed with vandal-proof stainless steel screws; dimensions 38.6x65.3x37cm. Brass hydraulic part complete with stop valve, water flow regulator and solenoid valve with filter. Tilting and forced suction drain siphon. Infrared electronic circuit, with built-in anti-flooding device, housed inside the ceramic together with the hydraulic part, the solenoid valve and the siphon. The infrared electronic circuit activates an intermittent water veil inside the bowl after 3" from the user approaching and activates a continuous flush after the user has moved away for 10". Supplied with a 220/18Vac IMQ approved safety transformer, fixings and gaskets.



## ELLIPSE/3/C

Electronic urinal in ceramic monobloc complete with solenoid valve for floor washing. Sturdy galvanized sheet metal frame for plasterboard wall applications, with the 50mm drain branch assembled. White ceramic urinal, hanging and tilting (for inspection, maintenance) fixed with vandal-proof stainless steel screws; dimensions 38.6x65.3x37cm. Brass hydraulic part complete with stop tap, two water flow regulators and two solenoid valves with filter. Tilting and forced suction drain siphon. Infrared electronic circuit, with built-in anti-flooding device, housed inside the ceramic together with the hydraulic part, the solenoid valve and the siphon. The infrared electronic circuit activates an intermittent water film inside the toilet bowl 3" after the user approaches and activates a continuous flush after the user moves away for 10", and then starts the adjustable timed washing of the tub under the grated floor. Supplied with a 220/18Vac IMQ approved safety transformer, two flexible stainless steel connection hoses, fixings and gaskets.

CE certified. (Note: Preferred flooring to be used = Pavimor)

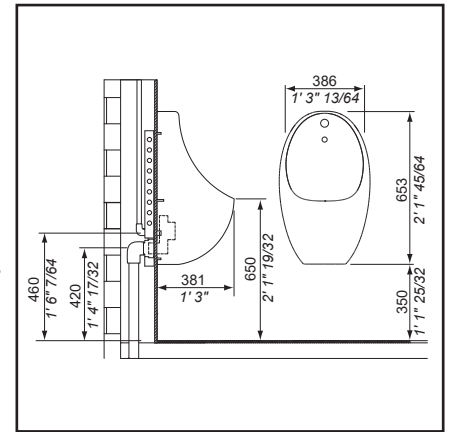


# ELECTRONIC FLUSH FOR URINAL

## S-ELLIPSE

Electric urinal in ceramic monobloc. Sturdy galvanized sheet metal frame for application on stratified walls, with 50mm discharge branch assembled. White ceramic urinal hanging and tilting (for inspection, maintenance) fixed with vandal-proof stainless steel screws; dimensions 38.6x65.3x37cm. Hydraulic part in brass complete with stop valve, water flow regulator and solenoid valve with filter. Tilting and forced suction drain siphon. Infrared electronic circuit, with built-in anti-flooding device, housed inside the ceramic together with the hydraulic part, the solenoid valve and the siphon. The electronic infrared circuit activates an intermittent water veil inside the bowl after 3" from the user approaching and activates a continuous flush after the user has moved away for 10".

Supplied with a 220/18Vac IMQ approved safety transformer, fixings and gaskets.  
CE certified.

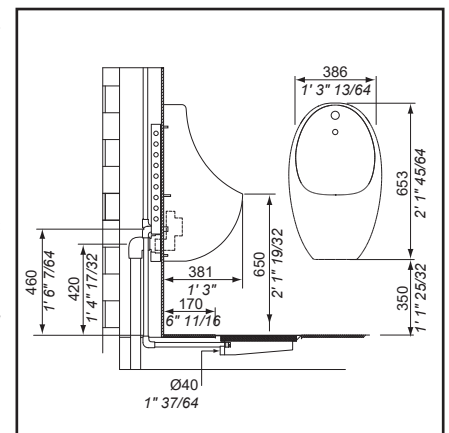


## S-ELLIPSE/3

Electronic urinal in ceramic monobloc complete with solenoid valve for floor washing. Sturdy galvanized sheet metal frame for application on stratified walls, with the 50mm drain branch assembled. White ceramic urinal, hanging and tilting (for inspection, maintenance) fixed with vandal-proof stainless steel screws; dimensions 38.6x65.3x37cm. Brass hydraulic part complete with stop tap, two water flow regulators and two solenoid valves with filter. Tilting and forced suction drain siphon. Infrared electronic circuit, with built-in anti-flooding device, housed inside the ceramic together with the hydraulic part, the solenoid valve and the siphon. The infrared electronic circuit activates an intermittent water film inside the toilet bowl 3" after the user approaches and activates a continuous flush after the user moves away for 10", and then starts the adjustable timed washing of the tub under the grated floor. Supplied with a 220/18Vac IMQ-approved safety transformer, two flexible stainless steel connection hoses, fixings and gaskets.

CE certified.

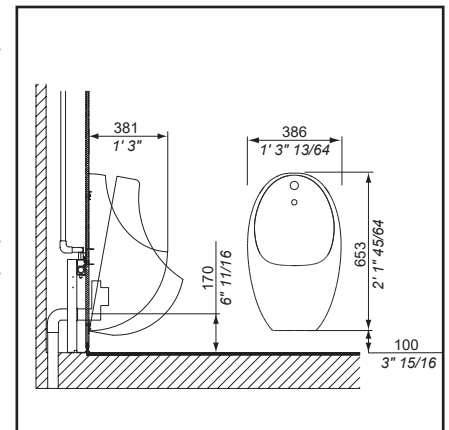
(Note: Preferred flooring to be used = Pavimor)



## S-ELLIPSE/B

Electric urinal in ceramic monobloc for children. Sturdy galvanized sheet metal frame for application on stratified walls, with assembled 50mm drain branch. White ceramic urinal, hanging and tilting (for inspection, maintenance) fixed with vandal-proof stainless steel screws; dimensions 38.6x65.3x37cm. Brass hydraulic part complete with stop tap, water flow regulator and solenoid valve with filter. Tilting and forced suction drain siphon. Infrared electronic circuit, with built-in anti-flooding device, housed inside the ceramic together with the hydraulic part, the solenoid valve and the siphon. The infrared electronic circuit activates an intermittent water film inside the bowl after 3" from the user's approach and activates a continuous flush after the user has moved away for 10". Supplied with a safety transformer 220/18Vac IMQ approved, fixings and gaskets.

CE certified.



## S-ELLIPSE/3/B

Electronic urinal in ceramic monobloc complete with solenoid valve for washing flooring for children. Sturdy galvanized sheet metal frame for application on layered walls, with assembled 50mm drain branch. White ceramic urinal, hanging and tilting (for inspection, maintenance) fixed with vandal-proof stainless steel screws; dimensions 38.6x65.3x37cm. Hydraulic part in brass complete with stop valve, two flow regulators of the water veil and two solenoid valves with filter. Tilting and forced suction drain siphon. Infrared electronic circuit, with built-in anti-flooding device, housed inside the ceramic together with the hydraulic part, the solenoid valve and the siphon.

The infrared electronic circuit activates an intermittent water film inside the toilet bowl 3" after the user approaches and activates a continuous flush after the user moves away for 10", and then starts the adjustable timed washing of the tub under the grating floor.

Supplied with a 220/18Vac IMQ approved safety transformer, two flexible stainless steel connection hoses, fixings and gaskets. CE certified.

(Note: Preferred flooring to be used = Pavimor)

