

SOAP DISPENSERS



C620 - C621

Electronic soap dispenser available in two different versions: flush-mounted or wall-mounted.

Electronic circuit, container and pump housed inside a single box in 1mm-thick stainless steel.

Front plate in 2-mm thick AISI 304 stainless steel fixed with vandal-proof stainless steel screws.

Self-priming peristaltic pump to be used with either liquid soap or disinfectant.

The soap quantity can be easily adjusted thanks to the electronic circuit fitted with an anti-dripping device.

Soap container in anti-acid material (max. capacity: 1 l) allowing the use of soap or disinfectant of any type.

Equipped with 220/18 Vac safety transformer approved by IMQ. CE certified.



TECHNICAL DETAILS:

Operating time:

Soap delivery:

Soap delivery interruption :

As soon as the user's hands are detected.

Adjustable from 1" to 3"

Specifications:

Power :

220/18Vca 10VA Transformer Classe II IP40

Optional:

Transformer from 2 to 6 appliances

-TRAV004C00 220/18Vac 54VA Classe II IP65

-TRAV006C00 220/18Vac 54VA Classe II IP00

SOAP DISPENSERS**C620**

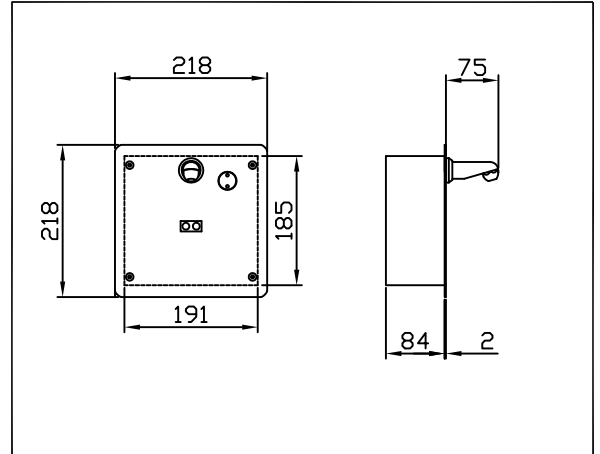
Flush-mounted electronic soap dispenser.

Front plate in 2-mm thick AISI 304 stainless steel fixed with vandal-proof stainless steel screws (size: 218x218mm).

Recessed box in 1-mm thick stainless steel (size: 191x185x84mm). Soap spout in chrome-plated brass (diam. 24; length: 75mm).

Soap dispenser consisting of 1 l single-block container in **molded polyethylene** fitted with empty/full probes, a self-priming peristaltic pump for the delivery of an electronically adjustable quantity of soaps or disinfectants of varying density, an infrared electronic circuit featuring a built-in anti-dripping device and two coloured LED lights to indicate the remaining soap quantity.

Equipped with a special funnel for soap refilling fitted with a magnet allowing you to recharge the pump quickly if brought near the photocells and a 220/18Vac safety transformer approved by IMQ.

**C621**

Wall-mounted electronic soap dispenser.

Outer casing in 1.5-mm thick polished stainless steel type AISI 304 fixed with vandal-proof screws (size: 210x210x87mm).

Wall-mounted box in 1-mm thick stainless steel (size: 191x185x84mm). Soap spout in chrome-plated brass (diam. 24; length: 75mm).

Soap dispenser consisting of 1 l single-block container in **molded polyethylene** fitted with empty/full probes, a self-priming peristaltic pump for the delivery of an electronically adjustable quantity of soaps or disinfectants of varying density, an infrared electronic circuit featuring a built-in anti-dripping device and two coloured LED lights to indicate the remaining soap quantity.

Equipped with a special funnel for soap refilling fitted with a magnet allowing you to recharge the pump quickly if brought near the photocells and a 220/18Vac safety transformer approved by IMQ.

