

# C624+HYGIENIC TOWER DISPENSER

COMPLETE



## TECHNICAL DESCRIPTION

C624 is the new battery or transformer powered electronic dispenser, designed by Soema.

Cover can be in stainless steel AISI304 or in strong thermoformed plastic material to perfectly fit any place.

It is equipped with an antidrip sucking nozzle (a peristaltic pump) also to avoid the outlet closure even after a long no-use period.

You can use gels and liquids of different densities keeping same performances.

The system is made in bacteriostatic material, all parts can be easily serviced; the sucking pipe can be washed and sanitized.

It is compatible with a tank ( not provided ) from 0.25 lt to 1 lt of disinfectant or soap.

The dispenser is easy to inspect and maintain.



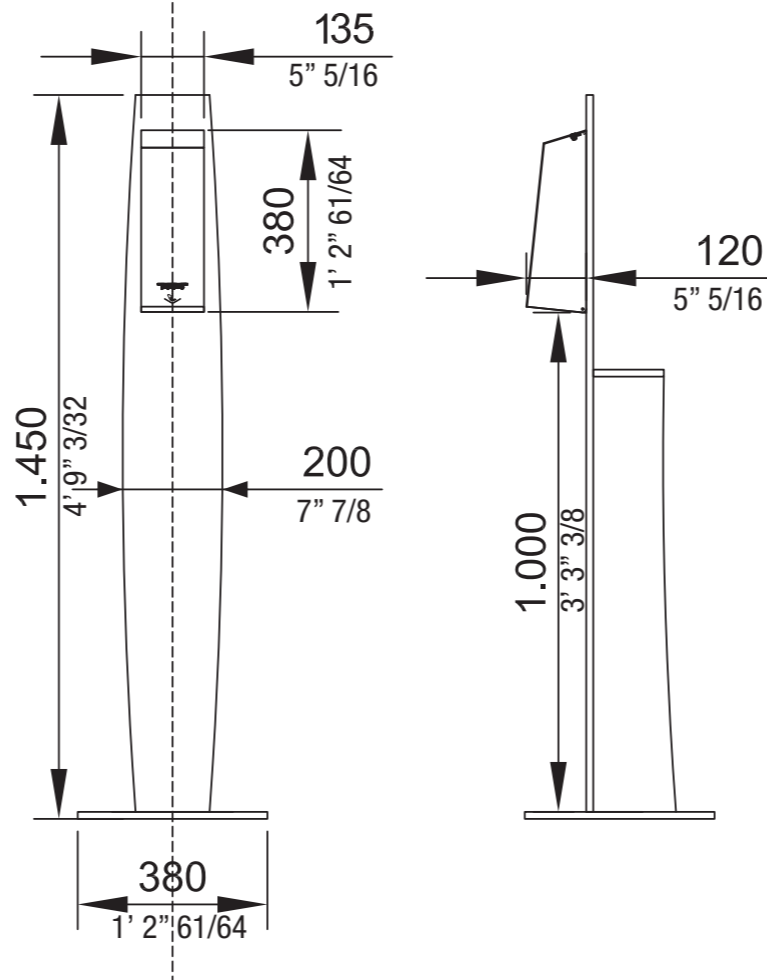
**SOEMA**<sup>®</sup>  
Handcrafted Technology



**C624 - Inside**



**Technical Drawings** ( $\frac{mm}{inch}$ )



**General Characteristics**

- mod. C624A: in 1.5mm AISI 304 stainless steel
- mod. C624P in 3mm plastic material

**Technical Characteristics**

**COLORS:**

- mod. C624A polished stainless steel
- mod. C624P Matt white plastic material

**STRUCTURE:** 1.5mm stainless steel base for both models.

**SERRATURA:** hex key

**OPERATION:** automatic electronic with infrared sensors and anti-drip system

**QUANTITA' DI EROGAZIONE:** regolabile da 0,5ml a 5ml

**DISPENSING PUMP:** self-priming rotary peristaltic pump;  
pipe silicone contact tube

**TANK:** supplied. The dispenser can also work with disposable bottles from 250 to 1000ml with neck hole from 20 to 60mm and maximum bottle diameter up to 94mm

**RECOMMENDED DENSITY OF THE LIQUID:** from 0.8 to 1.1 kg/dm<sup>3</sup>

**POWER SUPPLY:** battery operated; equipped with n.4x1.5V batteries C-LR14

**BATTERY AUTONOMY:** for 25.000-30.000 sizes

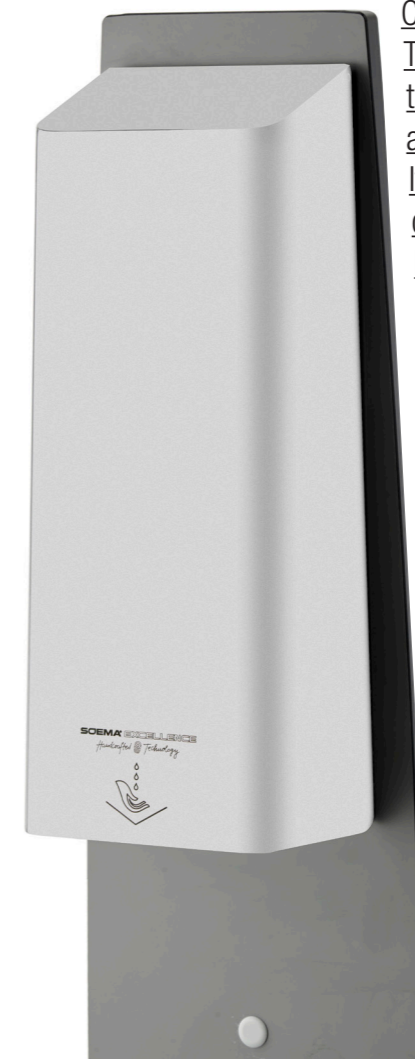
**WEIGHT:** mod. C624A inox: 3.3 kgs mod. C624P PST: 2.3 kgs

**DIMENSIONS:** 135x120x380mm

- Possibility to sanitize the silicone suction tube.
- Quick pump refill device.
- Not sharp edges

**WARNINGS:** not suitable for foam soaps

**C624 - Outside**



C624 can be completed with the HYGIENIC TOWER: a freestanding support in 14mm-thick HPL with smoothed edges and rounded angles.

It is ready-to-use for any place where hands disinfection is a must to preserve personal health.


A good design and the glove holder shelf with anti vandal screws make the overall really nice and easy to be used.

Available in 406 (White) and 871 (Dark grey) colours



 **x4 type C 1,5V**

 **12 Vac**

 **Ø95mm Max**  
**Ø3" 47/64 Max**