

ELECTRONIC FLUSHING CISTERNS

SOEMA has devised and manufactured its electronic sanitary fixtures in order to solve the problem of hygiene in very busy places that have to withstand frequent use such as offices, factories, cafés, restaurants, filling stations, service areas, airports, swimming pools, gymnasiums, beaches and hospitals.

SOEMA electronic flushing systems are highly reliable and ensure perfect hygiene reducing at the same time the need of manual cleaning and servicing. Operation is fully automatic in order to avoid contact with any button or lever: a photocell activates an even water film flow all over the inner surface of the toilet bowl when the user approaches (so that the dirt does not stick to ceramic and slides quickly into the U trap). When the user moves away, a thorough flushing is automatically activated.

If assembled with cavedi or inspectionable partitions, the electronic flushing systems can be fitted with an intake system for foul odours: as soon as the user is detected, the sensor activates the system which prevents odors emitted from the toilet bowl from spreading in the air by forcing them out of the bowl and channelling them outside.

TECHNICAL DETAILS:*Operating time:*

Water film flow operation :	As soon as the user is detected.
Water film flow interruption :	Immediately before flushing or after 10' of continuous functioning (automatic shutoff system).
Flushing operation :	3"after the user moves away.

Specifications:

Operating pressure:	1-10 Bar
Power:	220/12Vca 10VA Trasformer Class II IP40 about 4"
Flushing time:	(not adjustable)
Qauntity of flushed water:	8Lt (Min 7L-Max 9L). 4-4,5L/min LEED version
Time needed for refilling of the cistern:	from 25" to 35"

Optional:

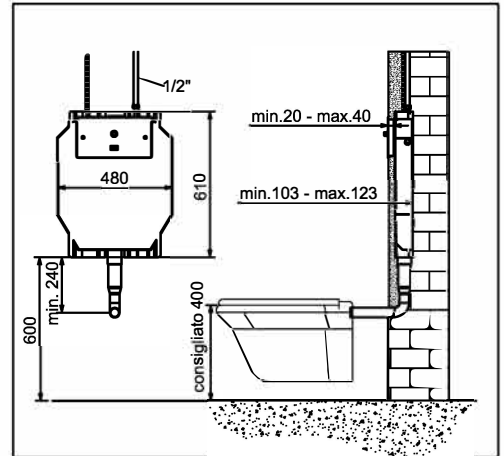
One single transformer for 2 to6 appliances
TRAV006C00 220/12Vac 54 VA Class II II IP00

ELECTRONIC FLUSHING CISTERNS

V417/T

Electronic WC flushing system with flush-mounted cistern.

Flush-mounted cistern in polyethylene thermoformed in one single block (size: 610x480x80mm). Hydraulic part in brass complete with stopcock, inspectionable stainless steel filter and water film flow regulator. Quantity of flushed water adjusted at 8 litres. Time needed for refilling of the cistern: from 25" to 35". Outer plate in 2 mm-thick AISI 304 stainless steel fixed with vandal-proof stainless steel screws (size: 315x170mm). Manual push button on the plate. Infrared electronic circuit operating a continuous water film flow inside the toilet bowl as soon as the user approaches and an automatic flushing 3" after the user moves away. Equipped with a flushing branch and a joint for the toilet bowl and a 220/12Vac safety transformer approved by IMQ. Toilet bowl and toilet seat non included. Optional: waste pipe (TUBP180Y24) for squat-type toilet. CE certified.



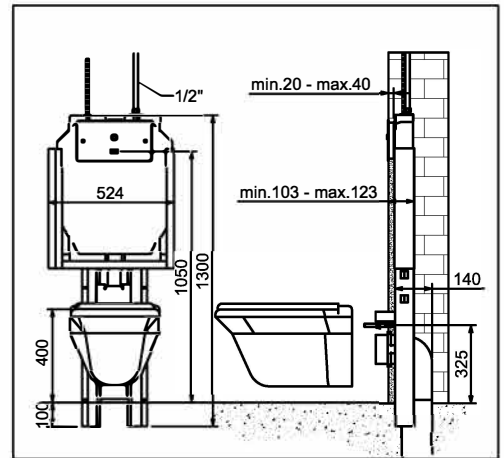
VAIDIM/7T

WC unit with suspended toilet bowl and flush-mounted electronic flushing cistern.

Flush-mounted cistern in polyethylene thermoformed in one single block pre-assembled on a solid 1.5 mm-thick press-formed galvanized steel frame (size: 1300x524x83mm). Hydraulic part in brass complete with stopcock, inspectionable stainless steel filter and water film flow regulator.

Quantity of flushed water adjusted at 8 litres. Time needed for refilling of the cistern: from 25" to 35". Outer plate in 2 mm-thick AISI 304 stainless steel fixed with vandal-proof stainless steel screws (size: 315x170mm). Manual push button on the plate. Infrared electronic circuit operating an intermittent water film flow inside the toilet bowl as soon as the user approaches and an automatic flushing 3" after the user moves away. Specially-devised toilet bowl in white ceramic with two inlets and one outlet (size: 570x360x380mm).

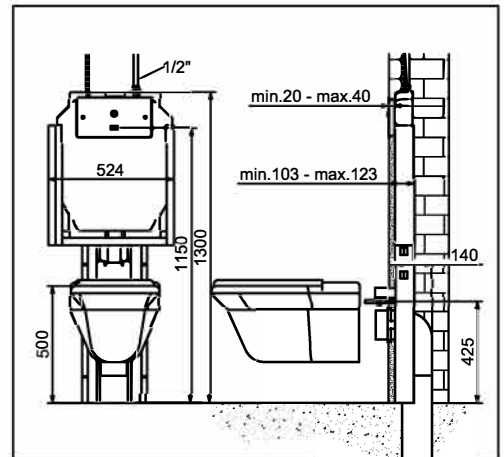
Equipped with a 220/12Vac safety transformer approved by IMQ, connection pipes and screw studs for fixing the toilet bowl. Toilet seat not included. CE certified.



VAIDIM/7T/D

WC unit with suspended toilet bowl and flush-mounted electronic flushing cistern specially devised for people with disabilities.

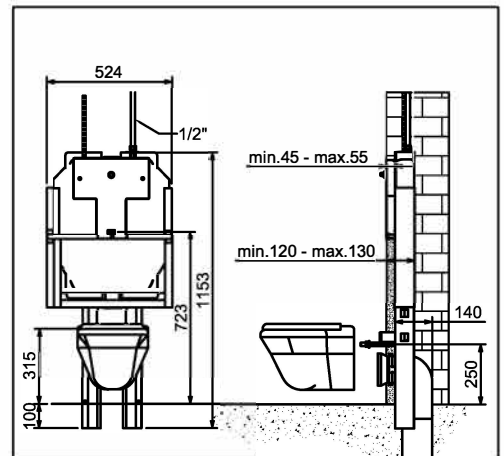
Flush-mounted cistern in polyethylene thermoformed in one single block pre-assembled on a solid 1.5 mm-thick press-formed galvanized steel frame (size: 1300x524x83mm). Hydraulic part in brass complete with stopcock, inspectionable stainless steel filter and water film flow regulator. Quantity of flushed water adjusted at 8 litres. Time needed for refilling of the cistern: from 25" to 35". Outer plate in 2 mm-thick AISI 304 stainless steel fixed with vandal-proof stainless steel screws (size: 315x170mm). Manual push button on the plate. Infrared electronic circuit operating an intermittent water film flow inside the toilet bowl as soon as the user approaches and an automatic flushing 3" after the user moves away. Specially-devised toilet bowl in white ceramic with two inlets and one outlet (size: 700x360x360mm). Equipped with a 220/12Vac safety transformer approved by IMQ, connection pipes and screw studs for fixing the toilet bowl. Toilet seat included. CE certified.



VAIDIM/7/B

WC unit with suspended toilet bowl and flush-mounted electronic flushing cistern specially devised for children.

Flush-mounted cistern in polyethylene thermoformed in one single block pre-assembled on a solid 1.5 mm-thick press-formed galvanized steel frame (size: 1150x524x83mm). Hydraulic part in brass complete with stopcock, inspectionable stainless steel filter and water film flow regulator. Quantity of flushed water adjusted at 8 litres. Time needed for refilling of the cistern: from 25" to 35". T-shaped outer plate in 2 mm-thick AISI 304 stainless steel fixed with vandal-proof stainless steel screws (size: 315x340mm). Manual push button on the plate. Infrared electronic circuit operating an intermittent water film flow inside the toilet bowl as soon as the user approaches and an automatic flushing 3" after the user moves away. Specially-devised toilet bowl in white ceramic with two inlets and one outlet (size: 390x290x250mm). Equipped with a 220/12Vac safety transformer approved by IMQ, connection pipes and screw studs for fixing the toilet bowl. Toilet seat not included. CE certified



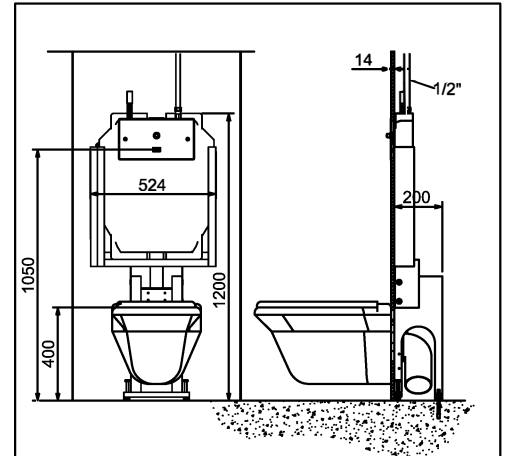
ELECTRONIC FLUSHING CISTERNS

S-VAIDIM/7T e P-VAIDIM/7T

WC unit with suspended toilet bowl and flush-mounted electronic flushing cistern specially devised for cavedi or inspectionable partitions.

Flush-mounted cistern in polyethylene thermoformed in one single block pre-assembled on a solid 4 mm-thick galvanized steel boxed frame to be fixed to the floor (size: 1200x520x200mm). Hydraulic part in brass complete with stopcock, inspectionable stainless steel filter and water film flow regulator. Quantity of flushed water adjusted at 8 litres. Time needed for refilling of the cistern: from 25" to 35". Outer plate in 2 mm-thick AISI 304 stainless steel fixed with vandal-proof stainless steel screws (size: 315x170mm). Manual push button on the plate. Infrared electronic circuit operating an intermittent water film flow inside the toilet bowl as soon as the user approaches and an automatic flushing 3" after the user moves away. Specially-devised toilet bowl in white ceramic with two inlets and one outlet (size: 570x360x380mm). Equipped with a 220/12Vac safety transformer approved by IMQ, connection pipes and screw studs for fixing the toilet bowl. Toilet seat not included. CE certified

(Please note: Type "S" is suitable for 14mm-thick walls; type "P" is suitable for 82mm-thick walls)



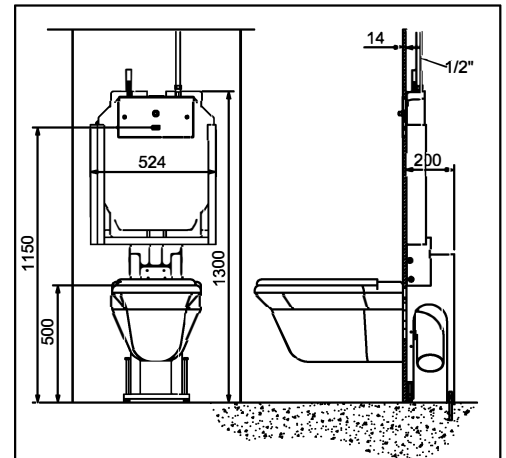
S-VAIDIM/7T/D e P-VAIDIM/7T/D

WC unit for the disabled with suspended toilet bowl and flush-mounted electronic flushing cistern specially devised for cavedi or inspectionable partitions.

Flush-mounted cistern in polyethylene thermoformed in one single block pre-assembled on a solid 4 mm-thick galvanized steel boxed frame to be fixed to the floor (size: 1300x524x200mm). Hydraulic part in brass complete with stopcock, inspectionable stainless steel filter and water film flow regulator. Quantity of flushed water adjusted at 8 litres. Time needed for refilling of the cistern: from 25" to 35". Outer plate in 2 mm-thick AISI 304 stainless steel fixed with vandal-proof stainless steel screws (size: 315x170mm). Manual push button on the plate. Infrared electronic circuit operating an intermittent water film flow inside the toilet bowl as soon as the user approaches and an automatic flushing 3" after the user moves away.

Specially-devised toilet bowl in white ceramic with two inlets and one outlet (size: 700x360x360mm). Equipped with a 220/12Vac safety transformer approved by IMQ, connection pipes and screw studs for fixing the toilet bowl. Toilet seat included. CE certified

(Please note: Type "S" is suitable for 14mm-thick walls; type "P" is suitable for 82mm-thick walls)

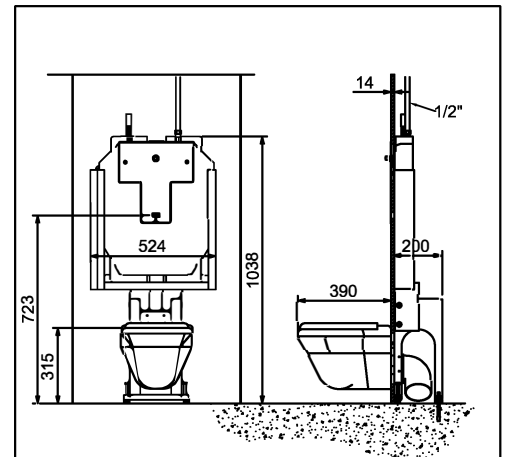


S-VAIDIM/7/B e P-VAIDIM/7/B

WC unit for children with suspended toilet bowl and flush-mounted electronic flushing cistern specially devised for cavedi or inspectionable partitions.

Flush-mounted cistern in polyethylene thermoformed in one single block pre-assembled on a solid 4 mm-thick galvanized steel boxed frame to be fixed to the floor (size: 1040x520x200mm). Hydraulic part in brass complete with stopcock, inspectionable stainless steel filter and water film flow regulator. Quantity of flushed water adjusted at 8 litres. Time needed for refilling of the cistern: from 25" to 35". Outer plate in 2 mm-thick AISI 304 stainless steel fixed with vandal-proof stainless steel screws (size: 315x340mm). Manual push button on the plate. Infrared electronic circuit operating an intermittent water film flow inside the toilet bowl as soon as the user approaches and an automatic flushing 3" after the user moves away. Specially-devised toilet bowl in white ceramic with two inlets and one outlet (size: 390x290x250mm). Equipped with a 220/12Vac safety transformer approved by IMQ, connection pipes and screw studs for fixing the toilet bowl. Toilet seat not included. CE certified

(Please note: Type "S" is suitable for 14mm-thick walls; type "P" is suitable for 82mm-thick walls)



ELECTRONIC FLUSHING CISTERNS

VAIDIM/9/T

WC unit with suspended toilet bowl and flush-mounted electronic flushing cistern complete with floor-washing system.

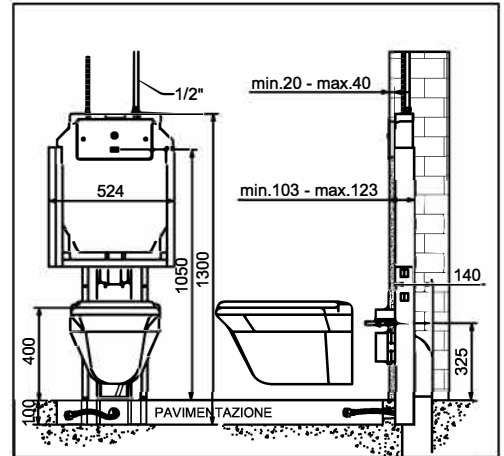
Flush-mounted cistern in polyethylene thermoformed in one single block (size: 610X480x80mm) pre-assembled on a solid 1.5 mm-thick press-formed galvanized steel frame (size: 1300x524x83mm). Hydraulic part in brass complete with stopcock, inspectionable stainless steel filter and flow regulator of the water film flow and of the water sprayers placed in the underlying tank. Quantity of flushed water adjusted at 8 litres. Time needed for refilling of the cistern: from 25" to 35". Outer plate in 2 mm-thick AISI 304 stainless steel fixed with vandal-proof stainless steel screws (size: 315x170mm). Manual push button on the plate. Infrared electronic circuit operating an intermittent water film flow inside the toilet bowl as soon as the user approaches, an automatic flushing 3" after the user moves away and, once the cistern is refilled again, an adjustable timed washing of the underlying tank.

Specially-devised toilet bowl in white ceramic with two inlets and one outlet (size: 570x360x380mm).

Equipped with a 220/12Vac safety transformer approved by IMQ, connection pipes and screw studs for fixing the toilet bowl. Toilet seat and flooring not included. CE certified

(Please note: Type "S" is suitable for 14mm-thick walls; type "P" is suitable for 82mm-thick walls)

(Please note: It is preferable to use either Pavimor or Pavimwc as flooring)



VAIDIM/9T/D

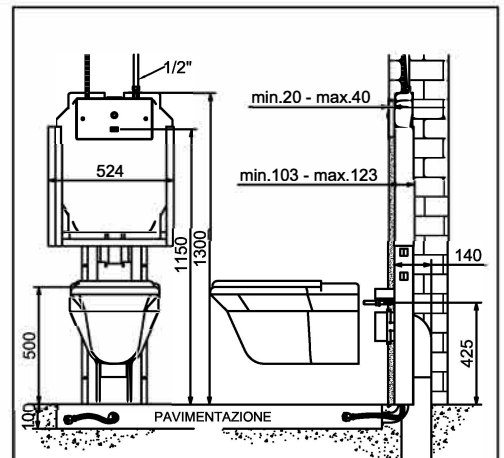
WC unit for the disabled with suspended toilet bowl and flush-mounted electronic flushing cistern complete with floor-washing system.

Flush-mounted cistern in polyethylene thermoformed in one single block (size: 610X480x80mm) pre-assembled on a solid 1.5 mm-thick press-formed galvanized steel frame (size: 1300x524x83mm). Hydraulic part in brass complete with stopcock, inspectionable stainless steel filter and flow regulator of the water film flow and of the water sprayers placed in the underlying tank. Quantity of flushed water adjusted at 8 litres. Time needed for refilling of the cistern: from 25" to 35". Outer plate in 2 mm-thick AISI 304 stainless steel fixed with vandal-proof stainless steel screws (size: 315x170mm). Manual push button on the plate. Infrared electronic circuit operating an intermittent water film flow inside the toilet bowl as soon as the user approaches, an automatic flushing 3" after the user moves away and, once the cistern is refilled again, an adjustable timed washing of the underlying tank.

Specially-devised toilet bowl in white ceramic with two inlets and one outlet (size: 700x360x360mm).

Equipped with a 220/12Vac safety transformer approved by IMQ, a toilet seat, connection pipes and screw studs for fixing the toilet bowl. Flooring not included. CE certified

(Please note: It is preferable to use either Pavimor or Pavimwc as flooring)



S-VAIDIM/9T

WC unit for cavedi or inspectionable partitions with suspended toilet bowl and flush-mounted electronic flushing cistern complete with floor-washing system.

Flush-mounted cistern in polyethylene thermoformed in one single block pre-assembled on a solid 4 mm-thick galvanized steel boxed frame to be fixed to the floor (size: 1200x520x200mm). Hydraulic part in brass complete with stopcock, inspectionable stainless steel filter and flow regulator of the water film flow and of the water sprayers placed in the underlying tank. Quantity of flushed water adjusted at 8 litres. Time needed for refilling of the cistern: from 25" to 35". Outer plate in 2 mm-thick AISI 304 stainless steel fixed with vandal-proof stainless steel screws (size: 315x170mm). Manual push button on the plate. Infrared electronic circuit operating an intermittent water film flow inside the toilet bowl as soon as the user approaches, an automatic flushing 3" after the user moves away and, once the cistern is refilled again, an adjustable timed washing of the underlying tank.

Specially-devised toilet bowl in white ceramic with two inlets and one outlet (size: 570x360x380mm).

Equipped with a 220/12Vac safety transformer approved by IMQ, connection pipes and screw studs for fixing the toilet bowl. Toilet seat and flooring not included. CE certified

(Please note: Type "S" is suitable for 14mm-thick walls; type "P" is suitable for 82mm-thick walls)

(Please note: It is preferable to use either Pavimor or Pavimwc as flooring)

