

## ELECTRONIC TAPS FOR WASHBASINS



### **SEMPLICE**

SOEMA electronic taps are the result of the company's thirty-year experience in the design and manufacturing of this type of items.

All SOEMA taps ensure hygiene and comply with safety standards required by laws HACCP and 626/94. They are also a profitable investment in all those cases where hygiene, compliance with regulations, low consumption, easy maintenance, solidity and reliability are essential requirements.

The wide range of SOEMA taps has been devised in order to be used in different sectors such as service areas, hotels, cafés, hospitals, food-processing plants, etc.

They match a pleasant design with simple compact construction and are particularly solid in order to withstand frequent use. They are also similar to common single-hole taps - the installation system and the time required for fitting being the same - since the solenoid valve, the electronic circuit and the mixer are housed inside the tap itself.

Each model is equipped with everything needed for installation (transformer or battery, under-basin stopcocks, flexible pipes, etc).

### **TECHINICAL DETAILS:**

*Operating time:*

**Water delivery :**

**Water delivery interruption :**

As soon as the user's hands are detected

1" after the user's hands are removed or after 60" of continuous functioning (Automatic Shutoff System)

*Specifications:*

**Operating pressure :**

**1 - 10 bar**

**Power :**

220/12Vca 10VA Transformer Class II IP40

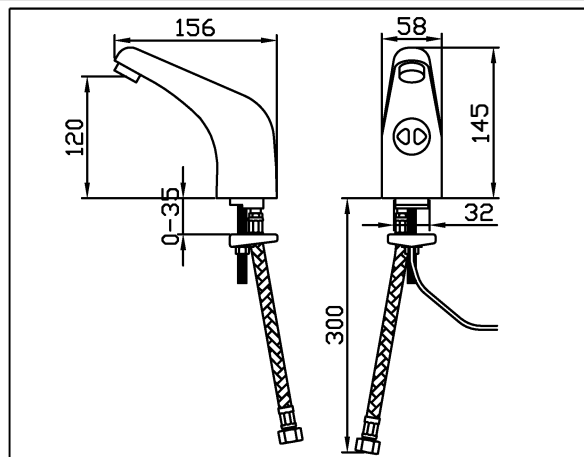
2 alkaline batteries (1.5 V)

**Water flow at 3 bar:**

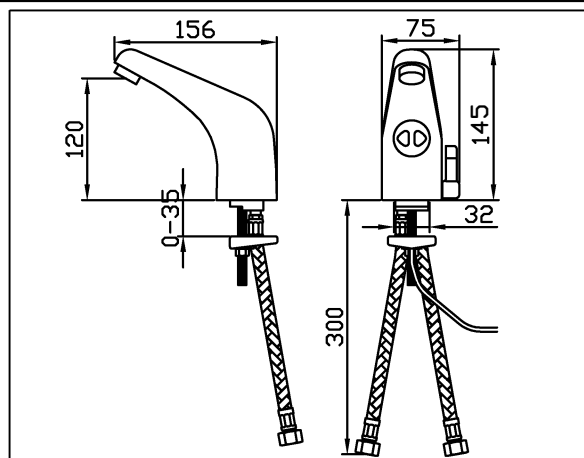
5 l/min - 1,9 LEED version

**ELECTRONIC TAPS FOR WASHBASINS****SEMP-T**

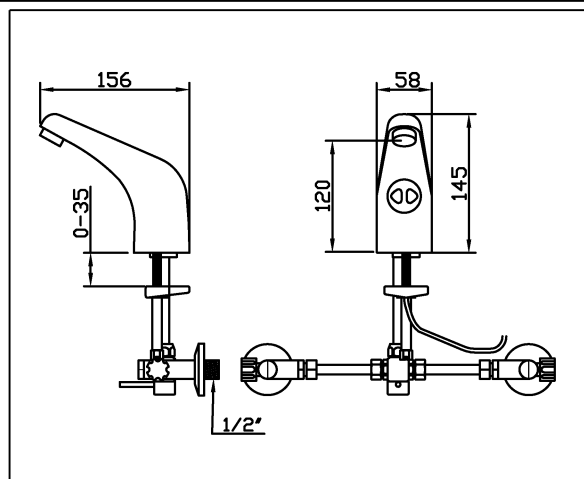
Single-hole electronic washbasin tap for cold or premixed water. Outer casing with chrome finish and hydraulic parts in solid brass. Infrared electronic circuit with built-in automatic shutoff device housed inside the tap together with a solenoid valve and a 5l/m flow regulator. Equipped with 220/12Vac safety transformer approved by IMQ, one brass stopcock with check valve and inspectionable stainless steel filter, one stainless steel flexible connecting pipe approved by KIWA. CE certified.

**SEMP-KMT**

Single-hole electronic washbasin tap with mixer. Outer casing with chrome finish and hydraulic parts in solid brass. Infrared electronic circuit with built-in automatic shutoff device housed inside the tap together with a solenoid valve and a 5l/m flow regulator. Equipped with 220/12Vac safety transformer approved by IMQ, two brass stopcocks with check valve and inspectionable stainless steel filter, two stainless steel flexible connecting pipes approved by KIWA. CE certified.

**SEMP-PMT**

Single-hole electronic washbasin tap with under-basin mixer. Outer casing with chrome finish and hydraulic parts in solid brass. Infrared electronic circuit with built-in automatic shutoff device housed inside the tap together with a solenoid valve and a 5l/m flow regulator. Equipped with 220/12Vac safety transformer approved by IMQ, two brass stopcocks with check valve and inspectionable stainless steel filter, one under-basin manual mixer, two copper tubes and one stainless steel flexible connecting pipe approved by KIWA. CE certified.



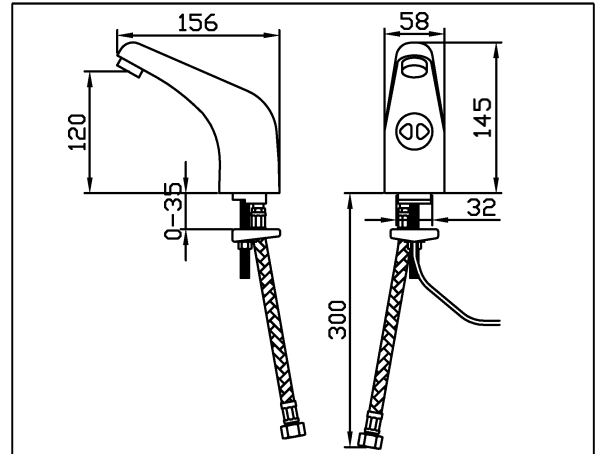
**ELECTRONIC TAPS FOR WASHBASINS****SEMP-P**

Single-hole electronic washbasin tap for cold or premixed water. Battery-operated.

Outer casing with chrome finish and hydraulic parts in solid brass.

Infrared electronic circuit with built-in automatic shutoff device housed inside the tap together with a solenoid valve and a 5l/m flow regulator.

Equipped with 2 alkaline batteries (1.5V) housed inside a sealed aluminium container, one brass stopcock with check valve and inspectionable stainless steel filter, one stainless steel flexible connecting pipe approved by KIWA. CE certified.

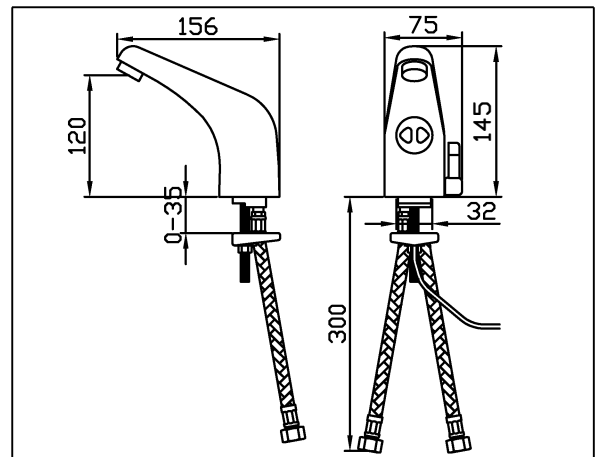
**SEMP-KMP**

Single-hole electronic washbasin tap with mixer. Battery-operated.

Outer casing with chrome finish and hydraulic parts in solid brass.

Infrared electronic circuit with built-in automatic shutoff device housed inside the tap together with a solenoid valve and a 5l/m flow regulator.

Equipped with 2 alkaline batteries (1.5V) housed inside a sealed aluminium container, two brass stopcocks with check valve and inspectionable stainless steel filter, two stainless steel flexible connecting pipes approved by KIWA. CE certified.

**SEMP-PMP**

Single-hole electronic washbasin tap with under-basin mixer. Battery-operated.

Outer casing with chrome finish and hydraulic parts in solid brass.

Infrared electronic circuit with built-in automatic shutoff device housed inside the tap together with a solenoid valve and a 5l/m flow regulator.

Equipped with 2 alkaline batteries (1.5V) housed inside a sealed aluminium container, two brass stopcocks with check valve and inspectionable stainless steel filter, one under-basin manual mixer, two copper tubes and one stainless steel flexible connecting pipe approved by KIWA. CE certified.

