

## BUILT-IN, MULTIFUNCTIONAL ELECTRONIC HAND WASHING

SOEMA conceived, designed and manufactured multifunctional, electronically controlled hand washing systems. These products integrate a tap/faucet, a soap dispenser and towel in the various shaped washbasins: single bowl, multiple or single channel type bowl. The assembly is completed with mirrors fitted with a LED perimeter frame and backlit icons which, indicating the various functions, direct the user correctly.



### **GENERAL FEATURES:**

- Supply voltage: 230V CE, or 120V UL-CSA.
- Absorption capacity: 650W when hand dryer functions.
- Optional: mirror with perimeter LED lighting and luminous usage-guide indication icons (water, soap, air) H=600.

### **TECHNICAL SPECIFICATIONS:**

- Integrated back-splash components: a tap (faucet) with anti-floodingsystem, a soap dispenser with anti-dripping system and a hand-dryer, allfunctioning through infrared electronic circuits.
- Hydraulic parts: internal parts in solid brass, equipped with stopcockvalves and non-visible siphon.



## **TAP/FAUCET:**

- Operating pressure: 1-10 bar.
- Water flow: 5-6L/min at 3 bar, 2L/min LEED version.
- Tap (faucet) opening: 1 sec after hand detection by the infrared system.
- TTap (faucet) closing: 1 sec after detection is terminated or after 60 seconds of continuous functioning (anti flood shutoff system).

## **SOAP DISPENSER:**

- Components: 1L-tank with peristaltic pump.
- Soap dose: adjustable.
- Dispenser functions: 1 sec after hand detection by the infrared system; anti-drip system (when closing).

## **HAND-DRYER:**

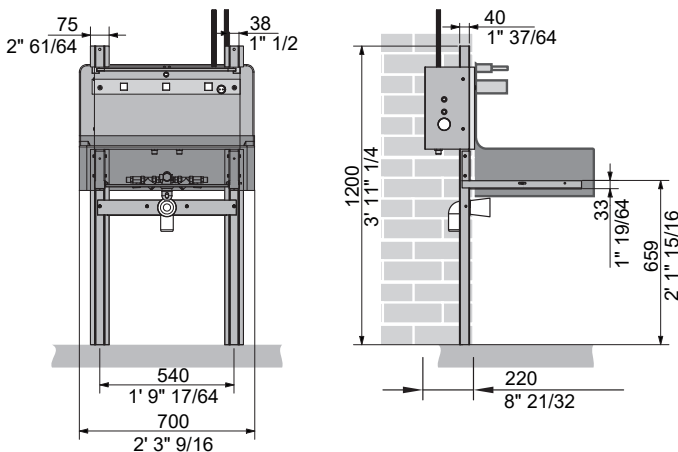
- Airflow speed: 400 km/h.
- Hand-dryer functions: starting 2 sec after hand detection by the infrared system.

## **INSTALLATION REQUIREMENTS:**

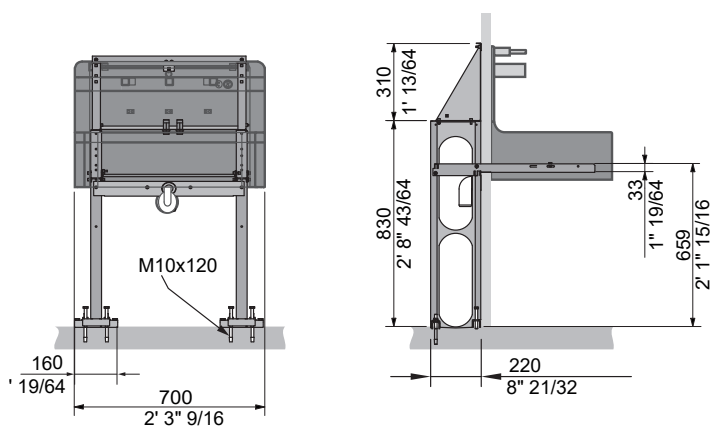
- Wall fixing: directly on brick or concrete walls (gypsum walls must be properly reinforced). Depth of wall must be sufficient to contain the wall-recessed stainless steel casing box (stainless steel casing box has a depth of 178mm).
- Electrical connection: 230V/2.7 A CE, or 120V/5.2 A UL-CSA (Pmax 650W) per each position.
- Water connection: one/two 1/2" junctions per each position.
- Drain connection: one Ø50mm.

## **SUPPORT BRACKETS**

### **WALL**



### **DRYWALL**



## INTEGRA-S INTEGRA-B INTEGRA-M

LAVABI AUTOSUFFICIENTI A CANALE ELETTRONICI  
ELECTRONIC SELF-SUFFICIENT HAND-WASHING UNIT

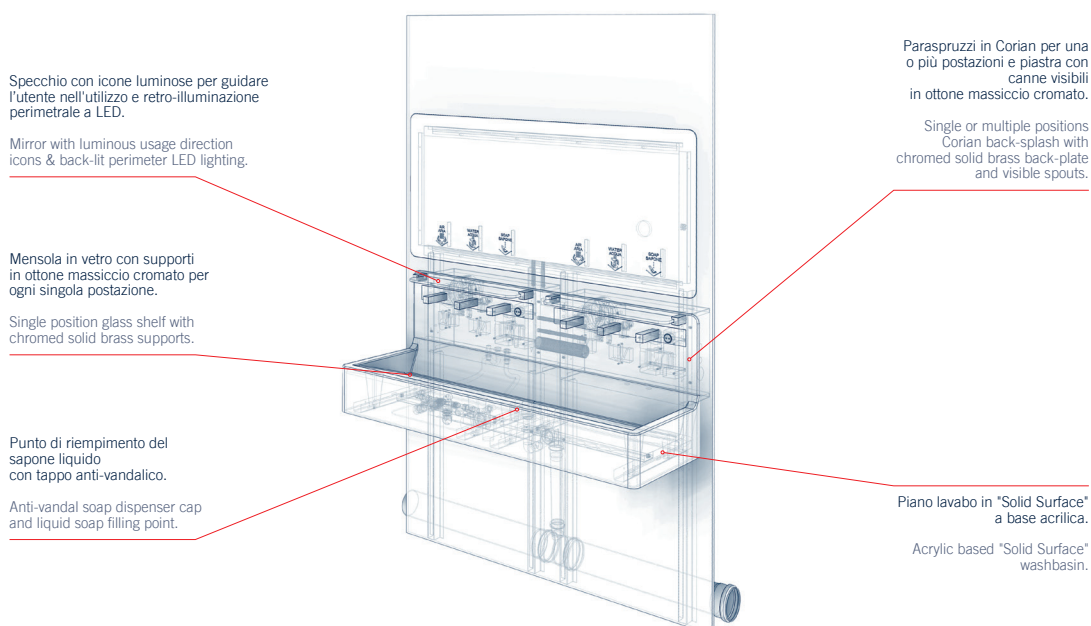
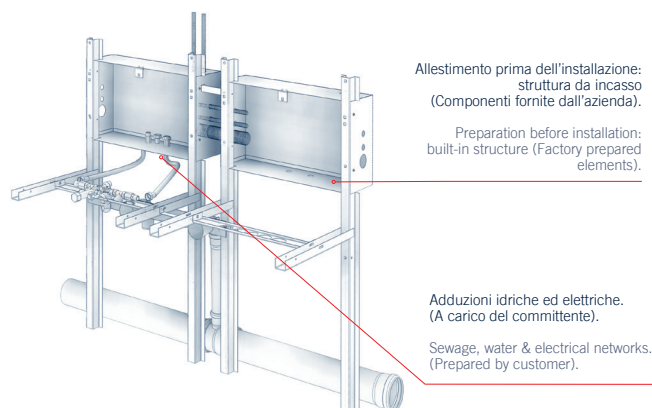


### DESCRIPTION:

Electronic multifunctional hand washing unit composed of a channel type washbasin and of a back-splash on which the wall-recessed shelf or chromed spouts of distribution (soap-water-air) are attached. Stopcock valve, thermostatic mixer and siphon concealed in the base.

### GENERAL FEATURES:

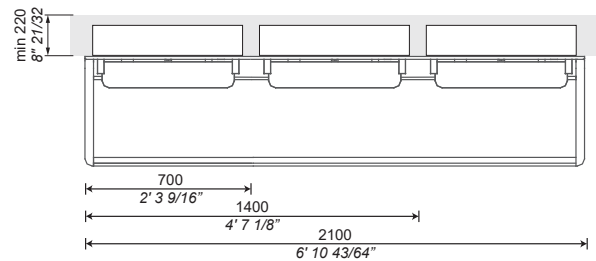
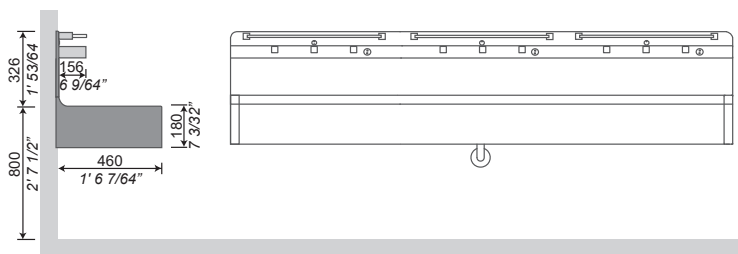
- Washbasin material: Acrylic based Solid Surface.
- Back-splash material: Corian.
- Colour: white.
- Washbasin type: channel type washbasin.
- Washing stations: One, two or three washing positions.
- Washbasin single station dimensions: 700X460m.
- Washbasin fixing system: Included one steel frame, recessed in the wall, holding both the washbasin and the back-splash.
- Thermostatic mixer: unique, inserted in the base.



## INTEGRA-S

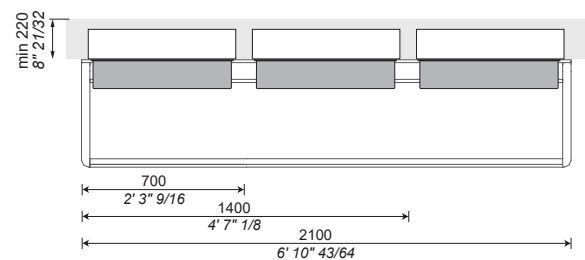
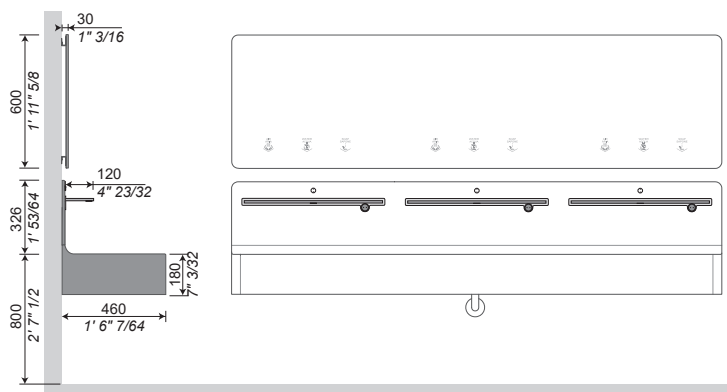
The Corian back-splash, bears:

- Outlets: 3 chromed solid brass spouts per each position (30x30x120mm). The sensors for electronic operation are hidden and inserted at the bottom of the spouts.
- Storage shelf: a glass shelf per each position secured in place.



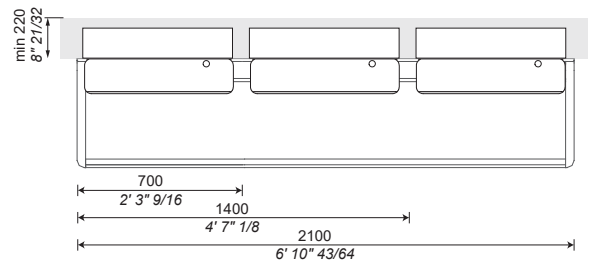
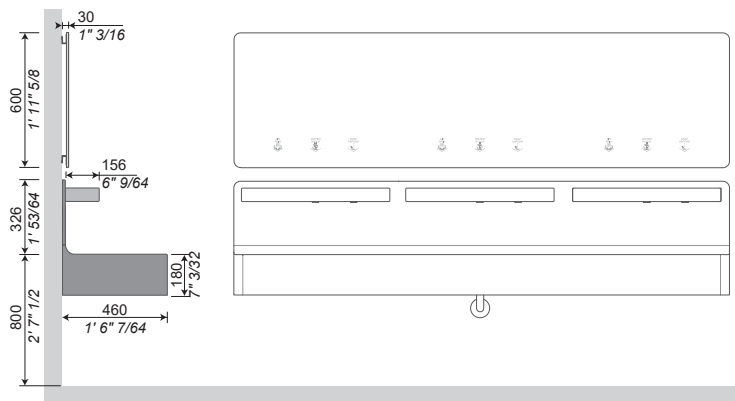
## INTEGRA-B

The console integrating the sensors and water, soap and air dispensers in a sheet of Corian, covered by an sandblasted and electropolished metal sheet, with a total thickness of 595x120x13mm; one plate per station. On request: steel finish, mirror polished or shiny (MULTICONSOLE-A/LUX). Optional: shelf in chromed solid brass (MULTICONSOLE-A/OTCR).



## INTEGRA-M

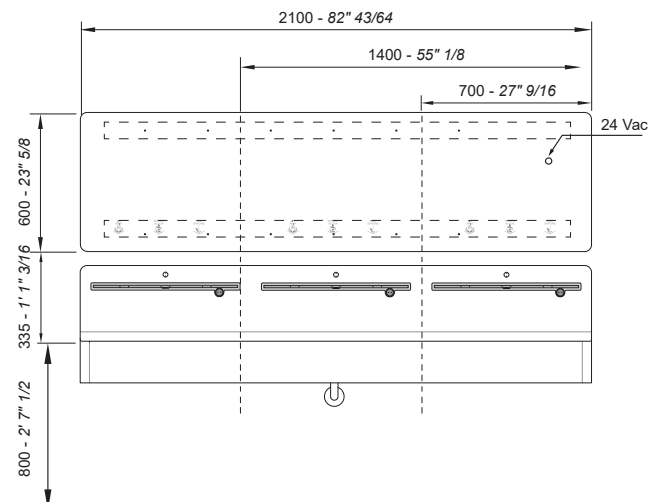
A console-shelf in acrylic based "Solid Surface", that can be painted in any RAL colours, in which the soap-water-air distributors are hidden. One per each position.



## SPECCHIO / MIRROR

### INTEGRA MIRROR

1. Type: mirror extra clear
2. Shape: Rectangular with rounded corners
3. Protection: Edges protected from humidity with acrylic paint (sealed edge)
4. Dimensions: 600×700 / 600×1400 / 600×2100
5. Format: Single sheet for one, two or three positions
6. Thickness: 5mm (%RI minimum 91)
7. Structure: Back frame in stainless steel, secured with oxime-based neutral silicon and double-sided adhesive pads (tape)
8. LED lighting: Perimetric back-lit stripes in an aluminium box with a diffuser in transparent polycarbonate (IP40)
9. Light features: Cold white (6000k)
10. Measurement reflectance: Accordance with EN-410 and angle of incidence of light within 8° of normal
11. LED power supplier: 24V
12. Power supplier: Input 100-200Vac, output 24Vcc, IP65
13. Usage icons: Luminous



# SOEMA®

Handcrafted  Technology

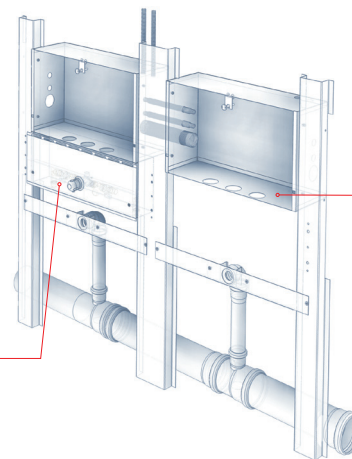
## INTEGRA-A INTEGRA-V

LAVABI AUTOSUFFICIENTI ELETTRONICI  
ELECTRONIC SELF-SUFFICIENT HAND-WASHING UNIT



### DESCRIPTION:

The multifunctional electronic washbasin in coated glass is composed of a bowl and a vertical back-splash, which is removable, on which the wall-recessed shelf or rectangular spouts are attached, for distribution of water, soap and air. The mechanical and electrical components are wall recessed. Steel brackets, equipped with stopcock valves and shine siphon for each position. .



Allestimento prima dell'installazione: struttura da incasso (Componenti fornite dall'azienda).

Preparation before installation: built-in structure (Factory prepared elements).

Adduzioni idriche ed elettriche. (A carico del committente).

Sewage, water & electrical networks. (Prepared by customer).

Specchio con icone luminose per guidare l'utente nell'utilizzo e retro-illuminazione perimetrale a LED.

Mirror with luminous usage direction icons & back-lit perimeter LED lighting.

Punto di riempimento del sapone liquido con tappo anti-vandalico.

Anti-vandal soap dispenser cap and liquid soap filling point.

Pareina paraspruzzi colorata e lavorata artigianalmente con una multiconsole elettronica in Corian, rivestita da un lamierino in acciaio sabbato e elettrolucidato.

Coloured and handcrafted back-splash with an electronic multiconsole in Corian, covered with a sheet of sandblasted and electropolished steel.

Piano lavabo in vetro lavorato artigianalmente.

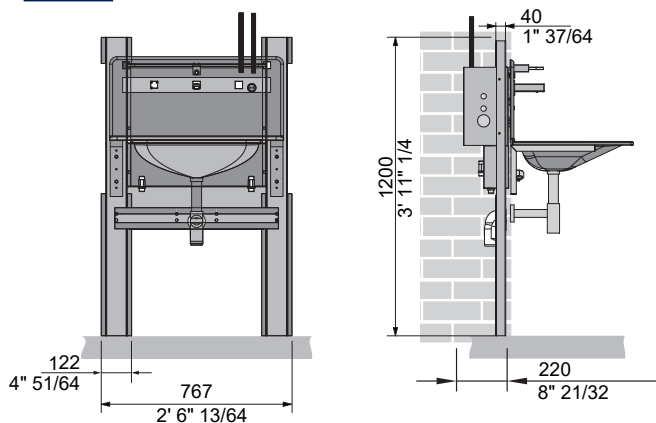
Handcrafted coloured glass washbasin.

## GENERAL FEATURES:

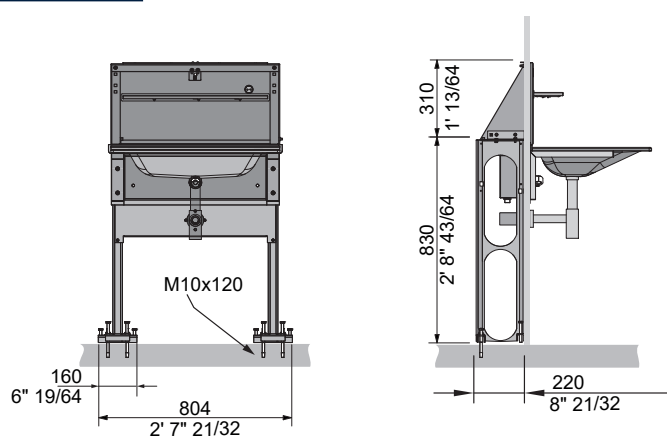
- Washbasin and back-splash material: RAL painted glass.
- Washbasin type: single washbasin per each position.
- Washing stations: One, two or three washing positions.
- Dimensions of each position: 700x500mm.
- Washbasin fixing system: Included one steel frame, recessed in the wall, holding both the washbasin and the back-splash.
- Thermostatic mixer: unique, inserted in the base.

## SUPPORT BRACKETS

### WALL



### DRYWALL



UN POSTO...  
ONE SPOT...

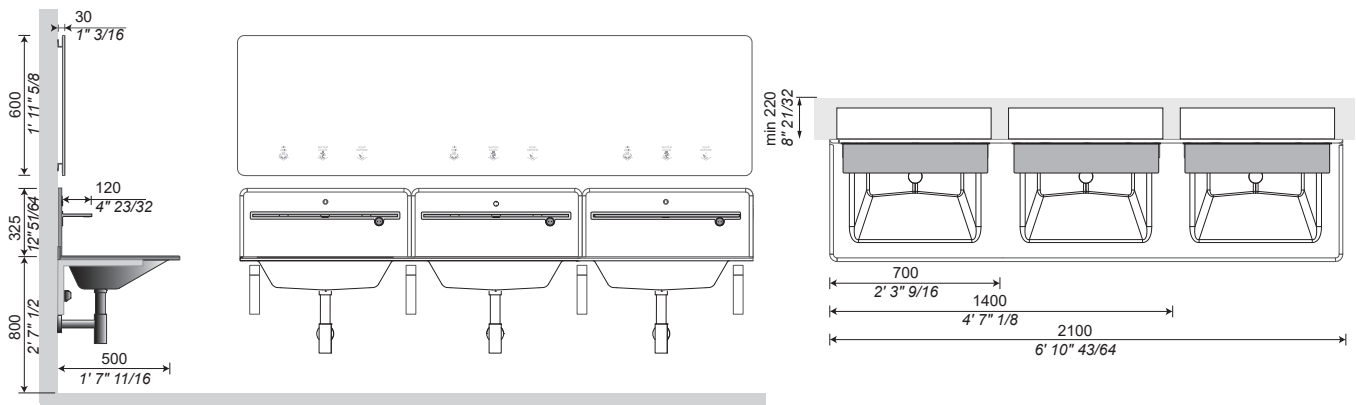
3

...FUNZIONI  
...FUNCTIONS

## INTEGRA-A

The console integrates water, soap and air dispensers. A single Corian plate, covered with a sheet of sandblasted and electropolished steel, with a total thickness of 595x120x13mm; a plate per position, wall mounted using a glass back-splash. On request: steel finish, mirror polished or shiny (MULTICONSOLE-A/LUX).

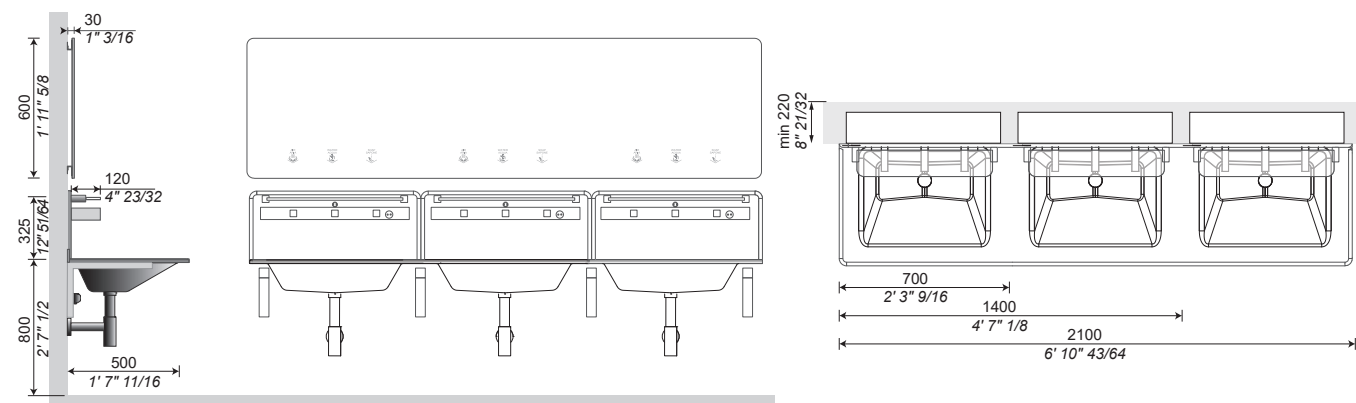
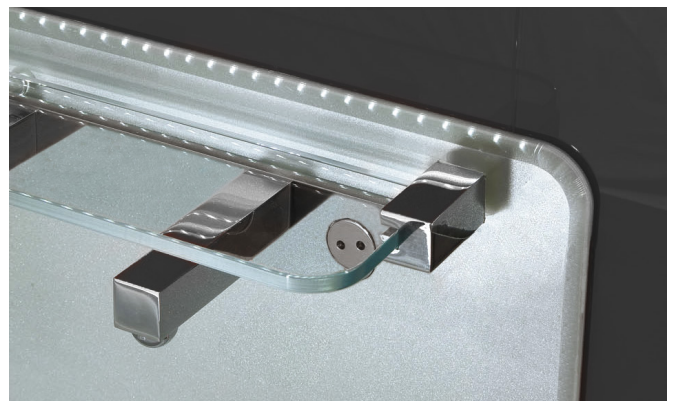
Optional: shelf in chromed solid brass (MULTICONSOLE-A/OTCR).



## INTEGRA-V

The glass back-splash to the front has:

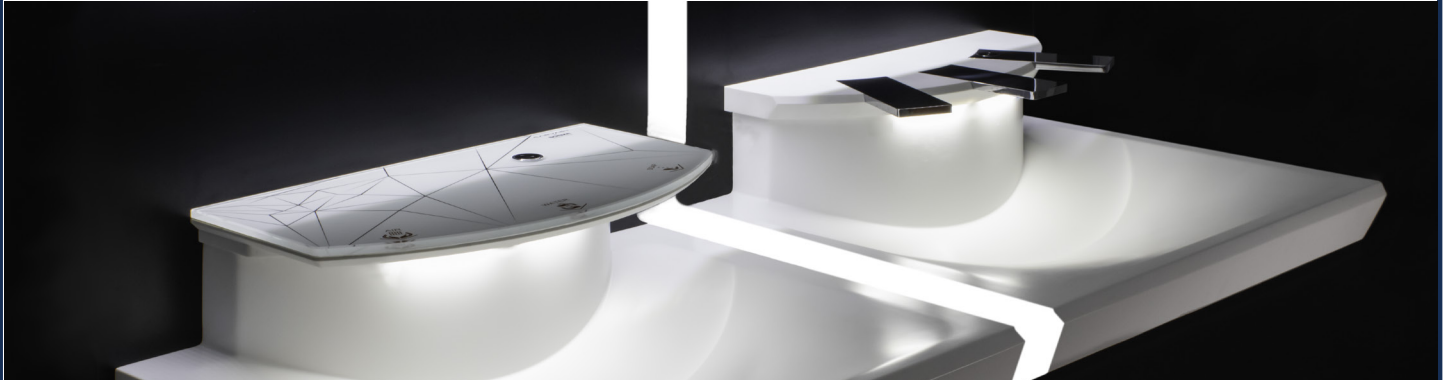
- Outlets: 3 chromed solid brass spouts per each position (30x30x120mm). The sensors for electronic operation are hidden and inserted at the bottom of the spouts.
- a glass storage shelf per each position secured in place by chromed brass side supports.





## INTEGRA-WM

LAVABO AUTOSUFFICIENTE ELETTRONICO  
ELECTRONIC SELF-SUFFICIENT HAND-WASHING UNIT



### DESCRIPTION:

Integra WM is an electronic multifunctional hand-washing unit with a uniformed back-splash and a concealed drain pipe. The elegant spouts that supply water-soap-air are visible and mounted on the top of the back-splash where all components are embodied. This upper part of the back-splash also plays the role of a shelf which can be removed for maintenance or inspection.

### GENERAL FEATURES:

- Washbasin material and vertical back-splash: Acrylic based Solid Surface.
- Shelf material: Corian.
- White colour.
- The washbasin is available in the series:
  - INTEGRA-WM with three spouts in chromed solid brass 70x10x180 per position.
  - INTEGRA-WM GLASS with supply spouts concealed in the Acrylic based Solid Surface shelf enriched above by a glass printed cover.
- Washing stations: One, two or three washing positions.
- Dimensions of each position: 700x560mm H=380mm
- Washbasin fixing system: brick wall mounting with expansion plugs.
- Integrated components: a tap (faucet) with anti-flooding system, a soap dispenser with anti-dripping system and a hand-dryer, all functioning through infrared electronic circuits.
- Hydraulic parts: internal parts in solid brass, equipped with stopcock valves and non visible siphon.
- Wall fixing: directly on brick or concrete walls / gypsum walls must be properly reinforced.
- Thermostatic mixer: unique, inserted in the base.

Specchio con icone luminose per guidare l'utente nell'utilizzo e retroilluminazione perimetrale a LED.

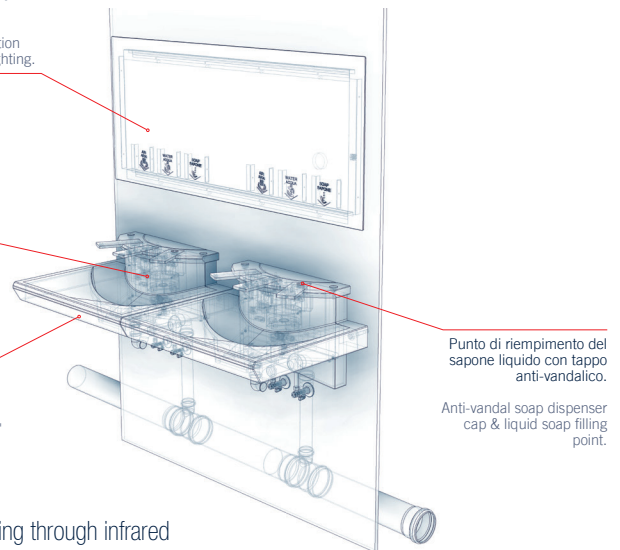
Mirror with luminous usage direction icons & back-lit perimeter LED lighting.

Struttura in Solid Surface a base acrilica con corpo superiore ispezionabile.

Acrylic based "Solid Surface" component body with inspectable cover-shelf.

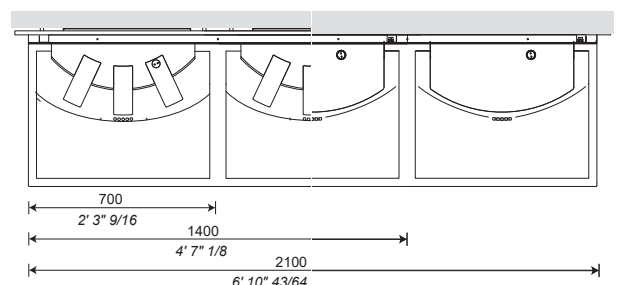
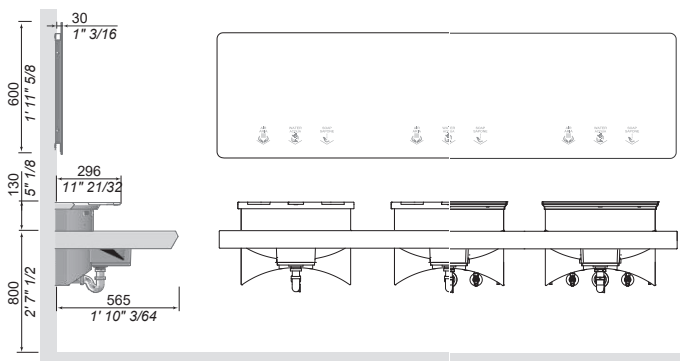
Piano lavabo in Solid Surface a base acrilica.

Acrylic based "Solid Surface" washbasin.



Punto di riempimento del sapone liquido con tappo anti-vandalico.

Anti-vandal soap dispenser cap & liquid soap filling point.



## INTEGRA-G

LAVABO AUTOSUFFICIENTE ELETTRONICO  
ELECTRONIC SELF-SUFFICIENT HAND-WASHING UNIT



### DESCRIPTION:

Electronic multifunctional hand washing unit composed of washbasin GIBBO and a wall-recessed MULTICONSOLE A that bears in one unique console the electronic suppliers of water-soap-air. GIBBO is a washbasin with a special anti-splash conception and with a concealed drain pipe.

### GENERAL FEATURES:

- Washbasin material: Acrylic based Solid Surface.
- Back-splash material: Corian.
- Colour: white.
- Multiconsole-A material: sheet of Corian covered with a sheet of sandblasted and electropolished steel. On request: steel finish, mirror polished or shiny (MULTICONSOLE-A/LUX).  
Optional: shelf in chromed solid brass (MULTICONSOLE-A/OTCR).
- Washing stations: One, two or three washing positions.
- Dimensions of each position: 700x460mm
- Washbasin fixing system: brick wall mounting with expansion plugs.
- The console integrates water, soap and air dispensers. A single Corian plate, 595x120x13mm; a console per position, wall mounted using a back-splash in Corian.
- Wall mounting: wall suitable to support the washbasin and deep enough to contain the recessed part (the stainless steel box to recess is 178mm deep).
- Mixer: not supplied. Equipment for the cold water or premixed system.

Specchio con icone luminose per guidare l'utente nell'utilizzo e retroilluminazione perimetrale a LED.

Mirror with luminous usage direction icons & back-lit perimeter LED lighting.

Addizioni idriche ed elettriche. (A carico del committente).

Sewage, water & electrical networks. (Prepared by customer).

Allattamento prima dell'installazione: struttura da incasso (Componenti fornite dall'azienda).

Preparation before installation: built-in structure (Factory prepared elements).

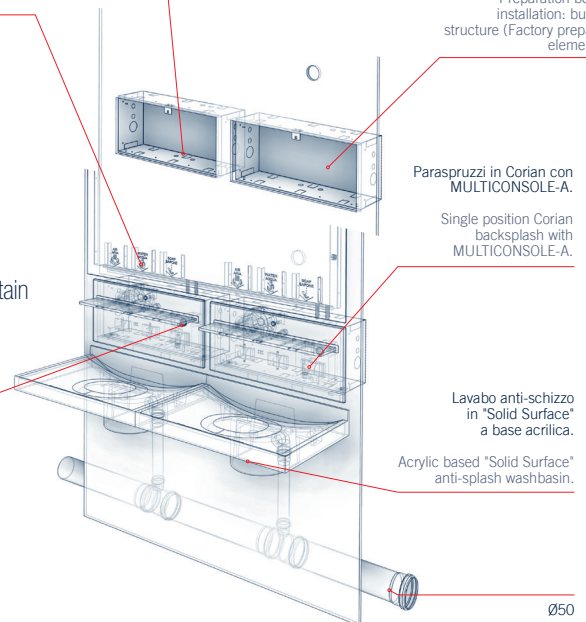
Paraspruzzi in Corian con MULTICONSOLE-A.  
Single position Corian backsplash with MULTICONSOLE-A.

Lavabo anti-schizzo in "Solid Surface" a base acrilica.

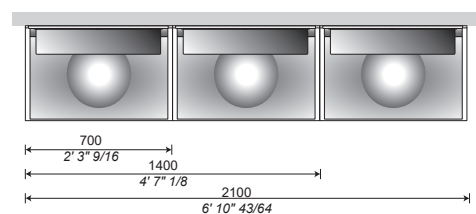
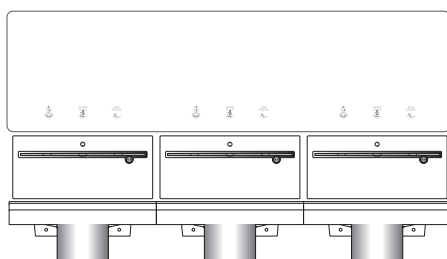
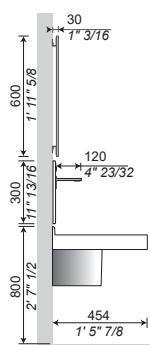
Acrylic based "Solid Surface" anti-splash washbasin.

Punto di riempimento del sapone liquido con tappo anti-vandalico.

Anti-vandal soap dispenser cap & liquid soap filling point.



Ø50



## INTEGRA-BASIN

LAVABO IN CORIAN  
CORIAN WASHBASIN

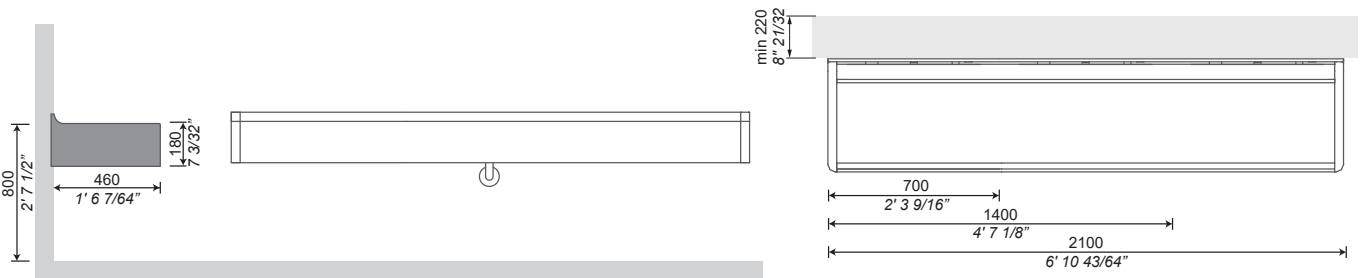


### DESCRIPTION:

Acrylic based Solid Surface washbasin, which can be combined with other types of taps/faucets.

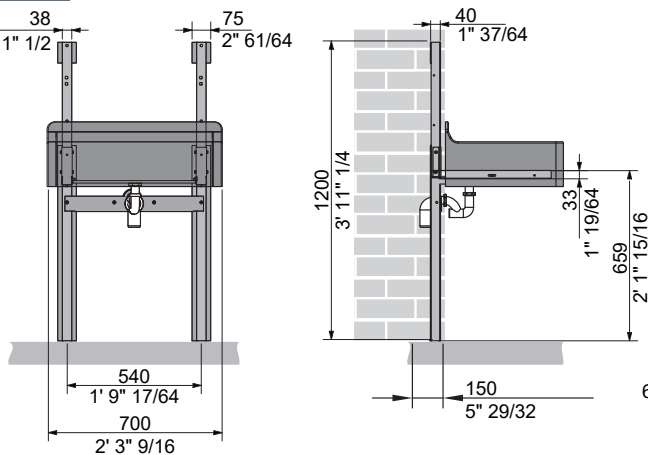
### GENERAL FEATURES:

- Washbasin material: Acrylic based Solid Surface.
- Back-splash material: Corian.
- Colour: white.
- Washbasin type: channel type washbasin.
- Washing stations: One, two or three washing positions.
- Washbasin single station dimensions: 700X460mm.
- Washbasin fixing system: Included one steel frame, recessed in the wall, holding the washbasin



### SUPPORT BRACKETS

#### WALL



#### DRYWALL

