

Self-lifting toilet seat



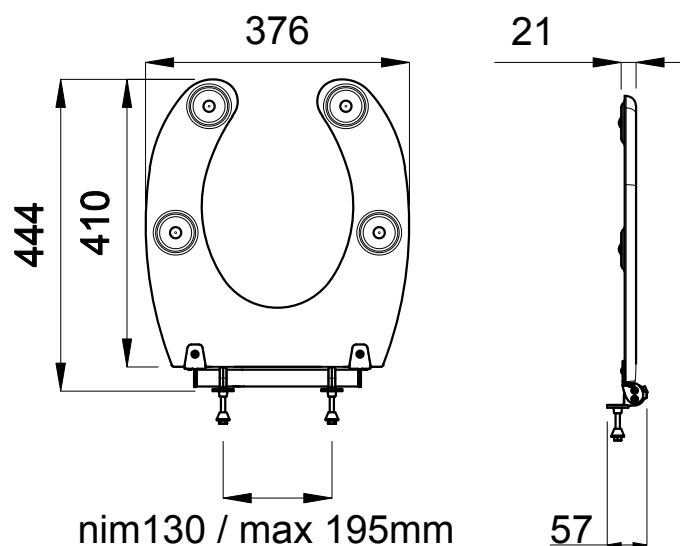
BUTTERFLY.01

Self-lifting toilet seat fitted with a SOEMA patented strip spring in stainless steel twisted inside a chromed brass cylinder rotating on chromed metal hinges with adjustable lifting speed. The seat is entirely made of Acrial/Corian, open in the front, without grooves or edges to prevent any build-up of dirt, with special vandal-proof rubber shock absorbers.

Treated with a nano-technological component, it is dirt resistant, anti-mould, bacteriostatic and easy to clean.

Butterfly can be adapted to most of the existing toilet bowls.

The shape of Butterfly fits the majority of health care on the market, has two different mounting kits which makes it applicable to both on health requirements of through holes on those with blind holes.



Self-lifting toilet seat

BUTTERFLY-A.01

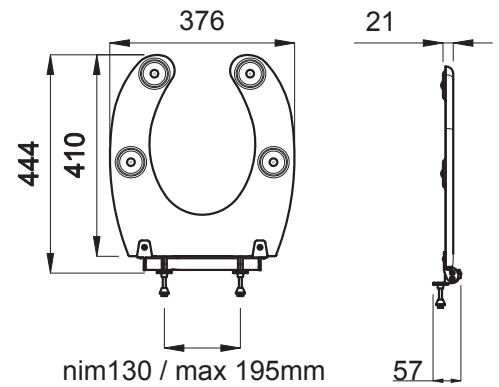
Self-lifting toilet seat fitted with a SOEMA patented strip spring in stainless steel twisted inside a chromed brass cylinder rotating on chromed metal hinges with adjustable lifting speed.

The seat is entirely made of Acrial/Corian, open in the front, without grooves or edges to prevent any build-up of dirt, with special vandal-proof rubber shock absorbers.

Treated with a nano-technological component, it is dirt resistant, anti-mould, bacteriostatic and easy to clean.

Butterfly can be adapted to most of the existing toilet bowls.

Equipped with fixing kits to be fitted to toilet bowls with through holes.



BUTTERFLY-B.01

Self-lifting toilet seat fitted with a SOEMA patented strip spring in stainless steel twisted inside a chromed brass cylinder rotating on chromed metal hinges with adjustable lifting speed.

The seat is entirely made of Acrial, open in the front, without grooves or edges to prevent any build-up of dirt, with special vandal-proof rubber shock absorbers.

Treated with a nano-technological component, it is dirt resistant, anti-mould, bacteriostatic and easy to clean.

Butterfly can be adapted to most of the existing toilet bowls.

Equipped with fixing kits to be fitted to toilet bowls with blind holes.

